



ASSEMBLY INSTRUCTION

1630K-1EK/1630WHK-1EK EASTERN KING METAL BED

HOME ELEGANCE

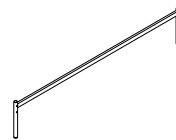
PART LIST:



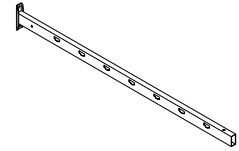
A: HEADBOARD LEGS
1PC



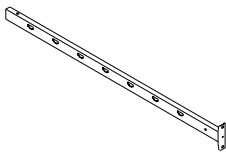
B: HEADBOARD LEGS
1PC



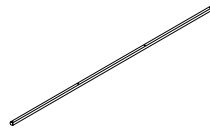
C: FOOTBOARD
1PC



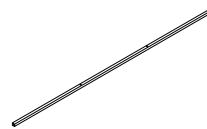
D: SIDE RAIL
2PCS



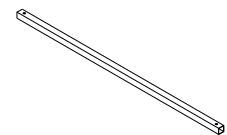
E: SIDE RAIL
2PCS



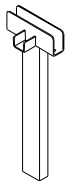
F: CENTER CROSS BAR
1PC



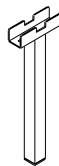
G: SIDE CROSS BAR
2PCS



H: CENTER RAIL
SUPPORT BAR
4PCS



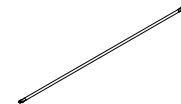
I: CENTER SLAT
SUPPORT LEG
2PCS



J: CENTER RAIL
SUPPORT LEG
2PCS



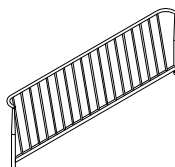
K: CENTER RAIL
SUPPORT LEG
4PCS



L: SLAT
14PCS



M: SLAT CONNECTOR
28PCS



N: HEADBOARD
1PC

HARDWARE SET:



1: Bolt
1/4*17.5mm
X 6pcs



2: Bolt
5/16*19mm
X 8pcs



3: Bolt
5/16*55mm
X 4pcs



4: Bolt
1/4*35mm
X 6pcs



5: Bolt
5/16*48mm
X 6pcs



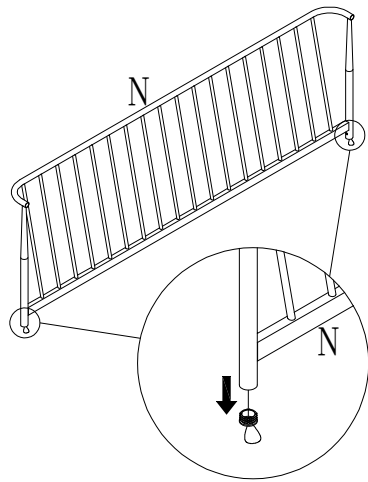
6: Bolt
5/16*34mm
X 4pcs



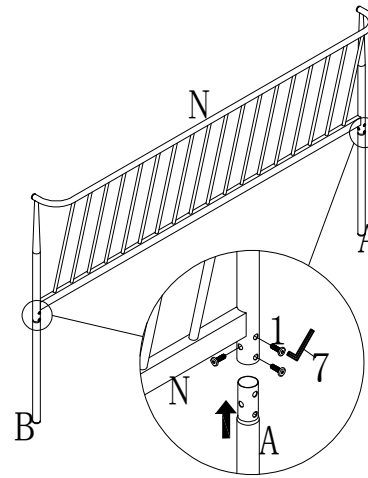
7: Allen Key
X 1pc

Note: Please do not tighten all bolts until the bed is assembled completely.

STEP 1

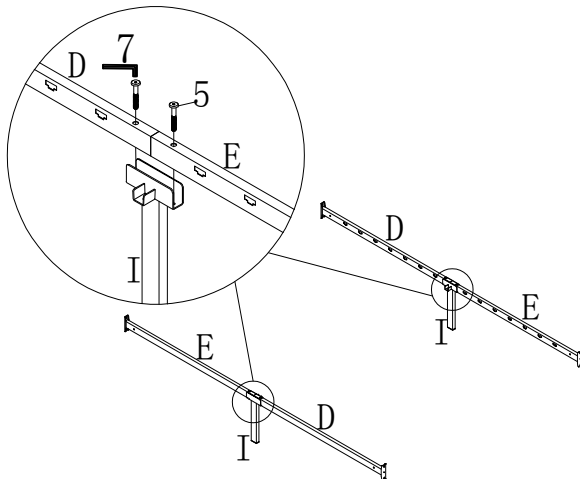


STEP 2



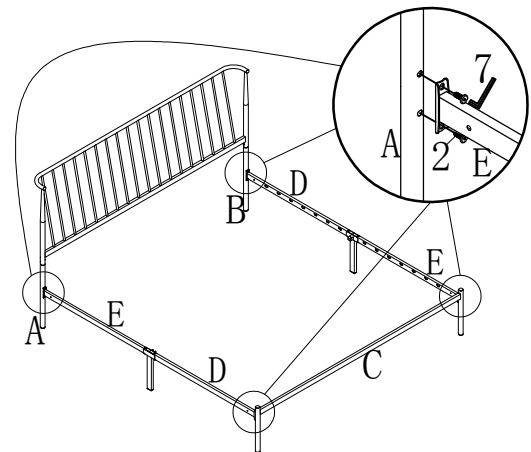
Hardware 1: 6 pcs

STEP 3



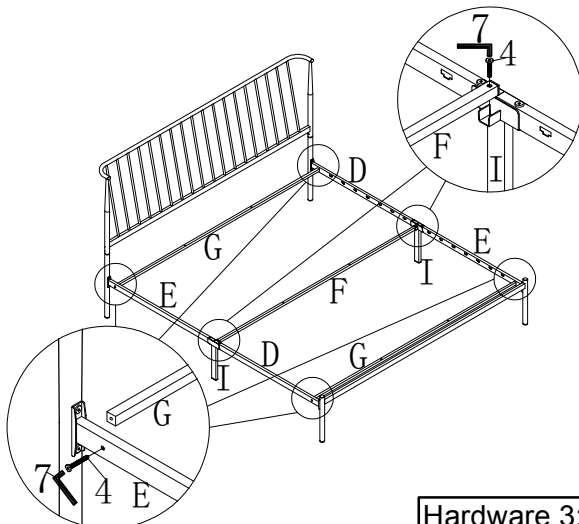
Hardware 5: 4 pcs

STEP 4



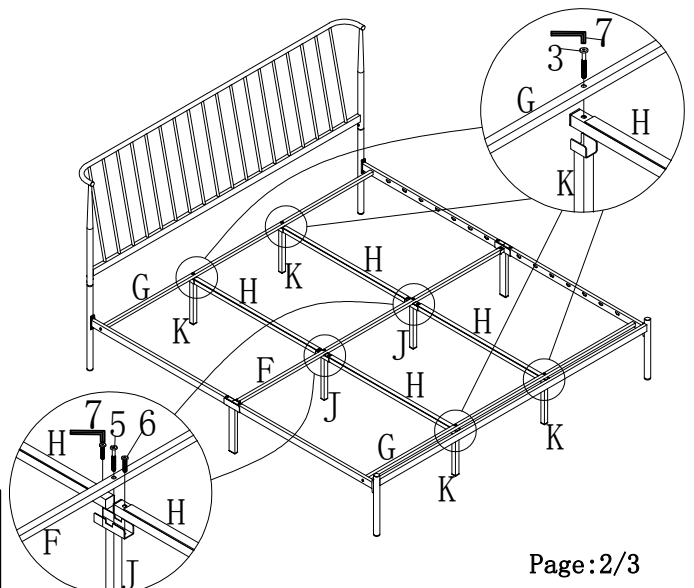
Hardware 2: 8 pcs

STEP 5



Hardware 4: 6 pcs

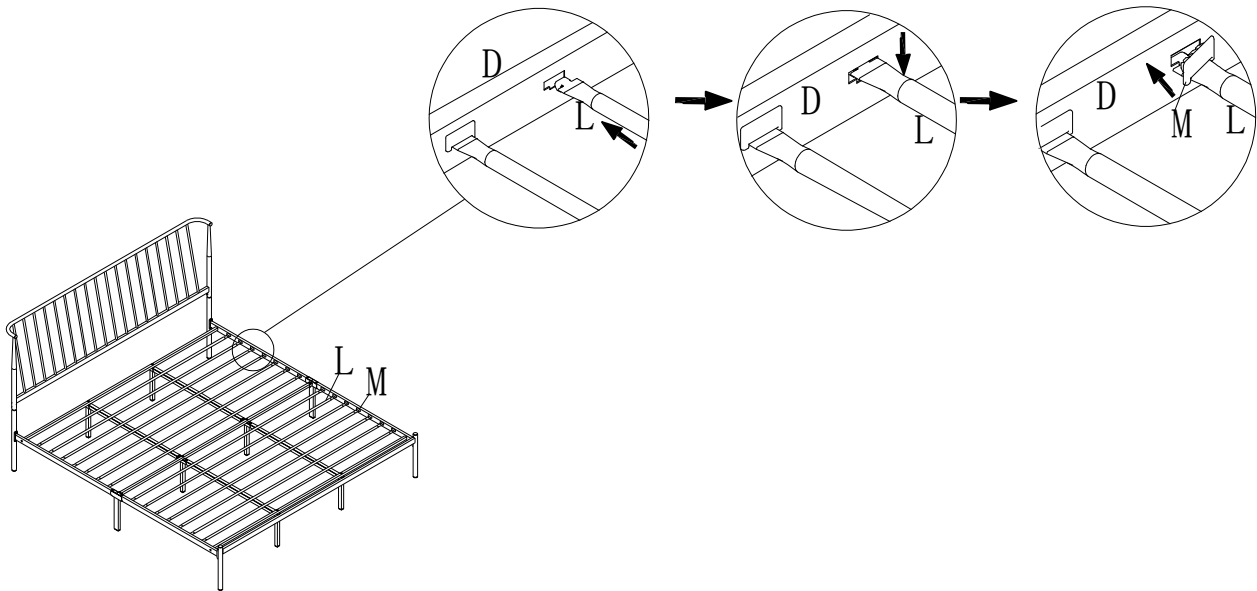
STEP 6



Hardware 3: 4 pcs
Hardware 5: 2 pcs
Hardware 6: 4 pcs

Note: Please do not tighten all bolts until the bed is assembled completely.

STEP 7



COMPLETED



For items use on wooden floor, hard surfaces or carpets, it is recommended to Install protective pads under all legs and supports to avoid/prevent from damages/scratches and discoloration.