

H O M E E L E G A N C E

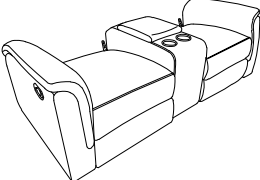

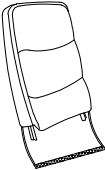
ASSEMBLY INSTRUCTION

ITEM NO.:8360BRW-2/8360GRY-2/8360TPE-2
Double Glider Reclining Love Seat with Center
Console

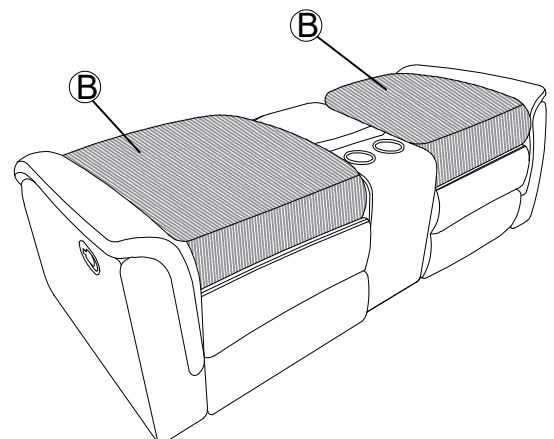
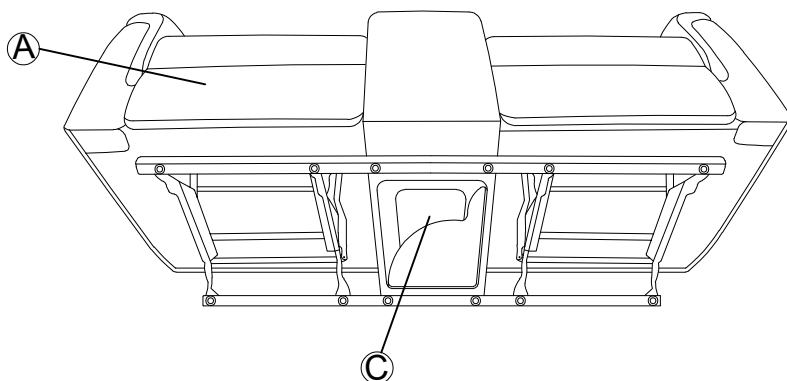


Note: Do not use power tools for assembly. Power tools increase the risk of over tightening which leads to splitting or cracking the wood.

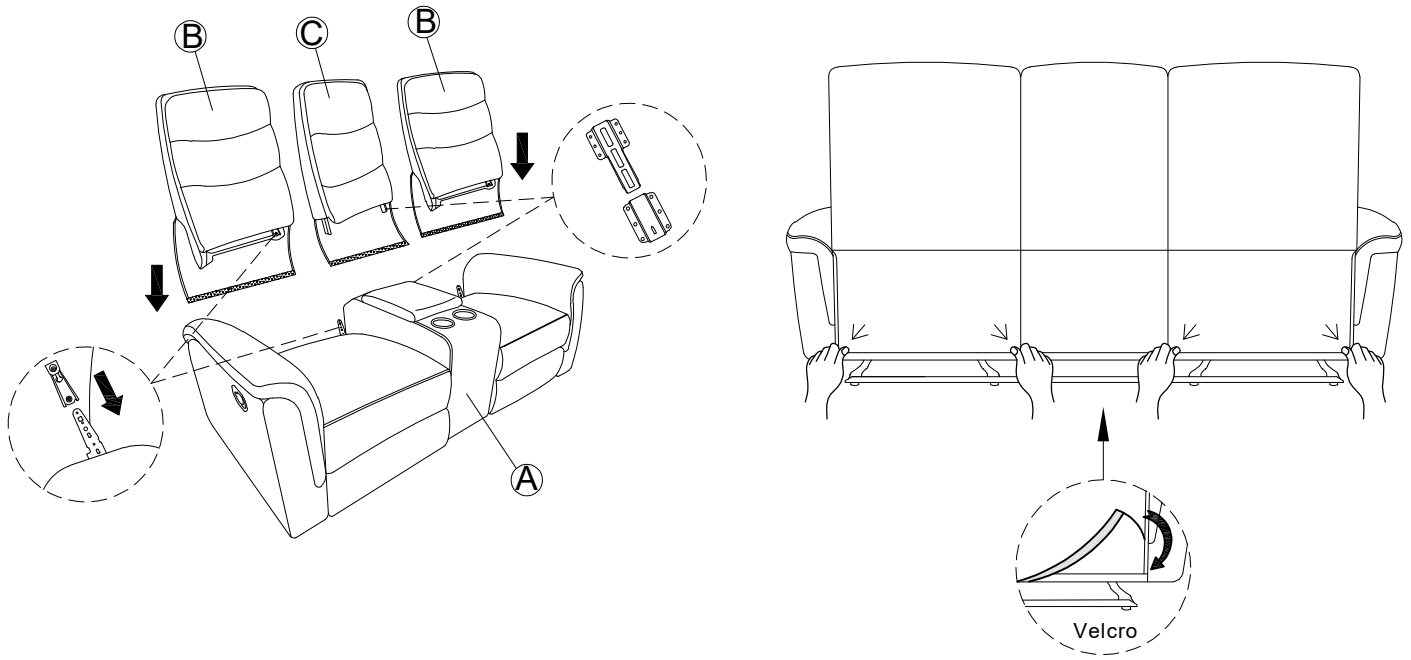
COMPONENT LIST

No	Drawing	Description	Qty
A		SEAT	1 PC
B		BACKREST	2 PCS
C		CONSOLE BACKREST	1 PC

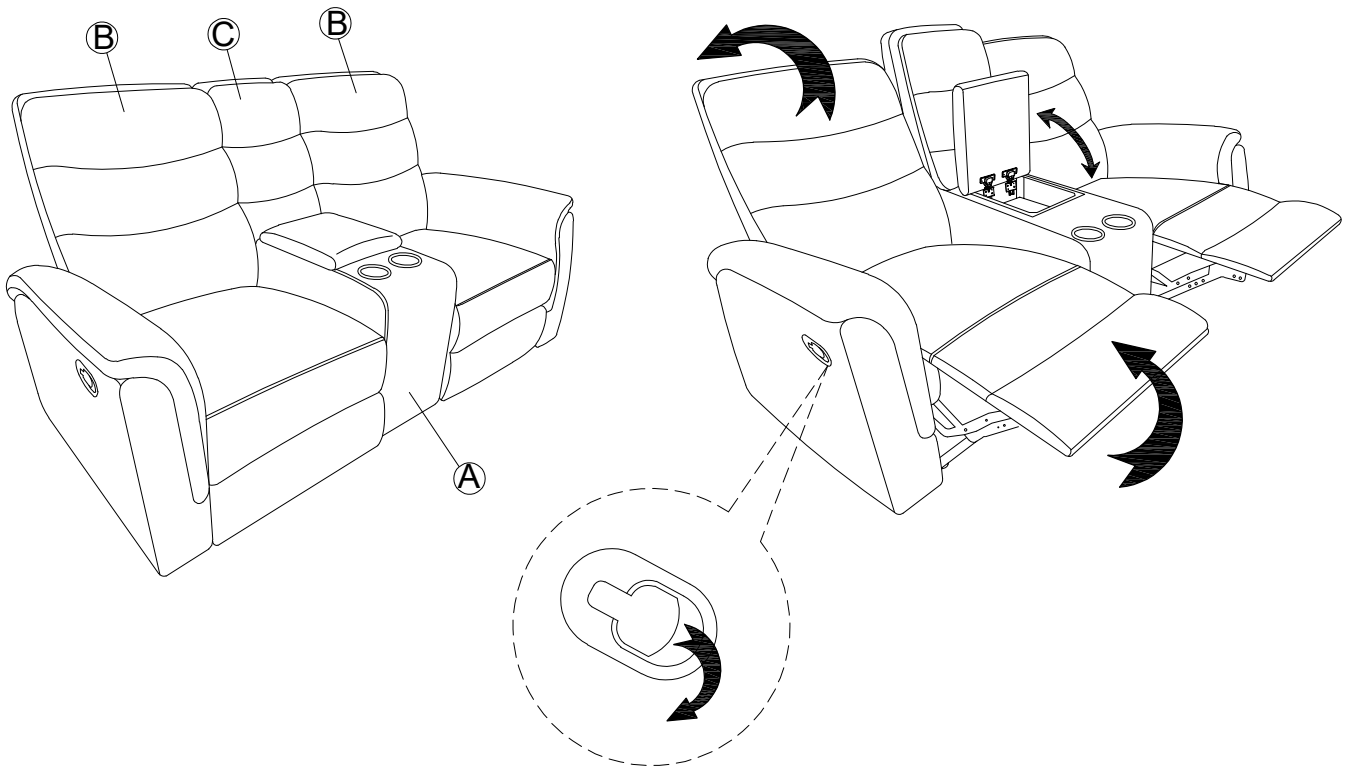
Console Backrest (C) are stored under metal frame



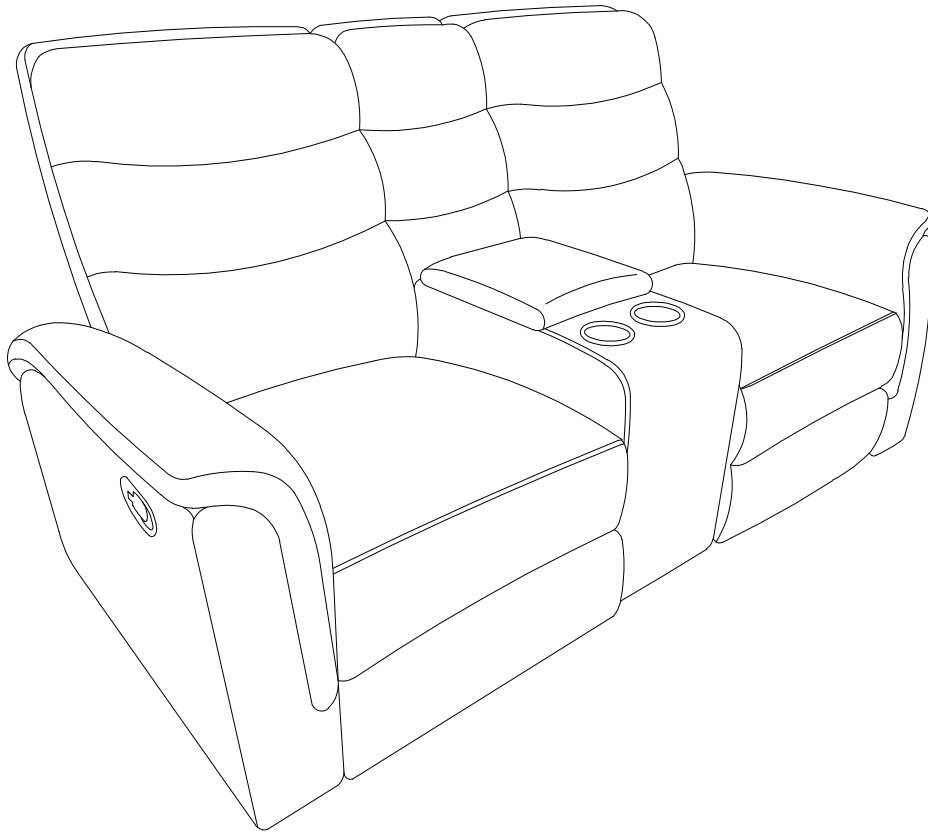
Step #1



Step #2



COMPLETED



Care Instructions for Polished Microfiber Furniture:

In order to maintain the original appearance of your polished microfiber furniture, please follow the simple care procedures below:

- Avoid exposing furniture directly to sunlight or heating and air conditioning outlets. Sunlight and/or exposure to heating and air conditioning outlets will fade/damage polished microfiber furniture.
- Vacuum or wipe with a soft cloth to remove dust.



For items used on wooden floor, hard surfaces or carpets, it is recommended to install protective pads under all legs and supports to prevent damages, scratches and discoloration.