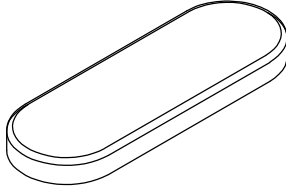
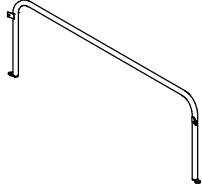
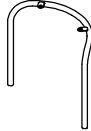


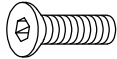
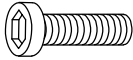


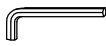
H O M E E L E G A N C E

ASSEMBLY INSTRUCTION

ITEM: 4997 BENCH

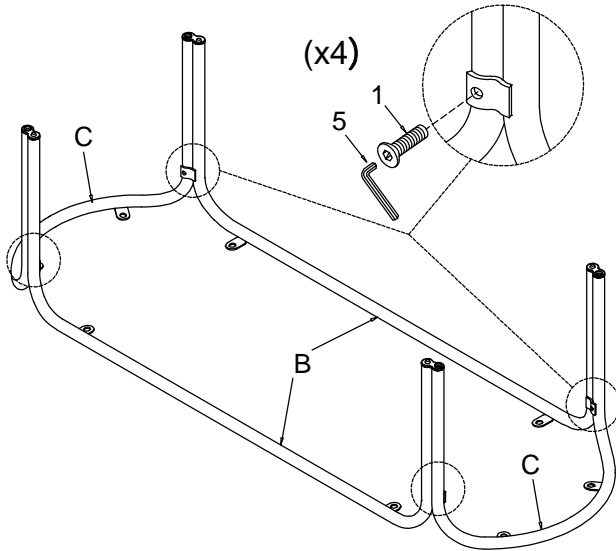
Thank you for purchasing this quality product. Be sure to check all packing material carefully for small parts which may have come loose inside the carton during shipment. Identify and count all parts and compare with the Parts List below.

PART LIST			
No.	Description	Sketch	Q'ty
A	Bench Top		1Pc
B	Front & Back Metal Leg		2Pcs
C	Side Metal Leg		2Pcs

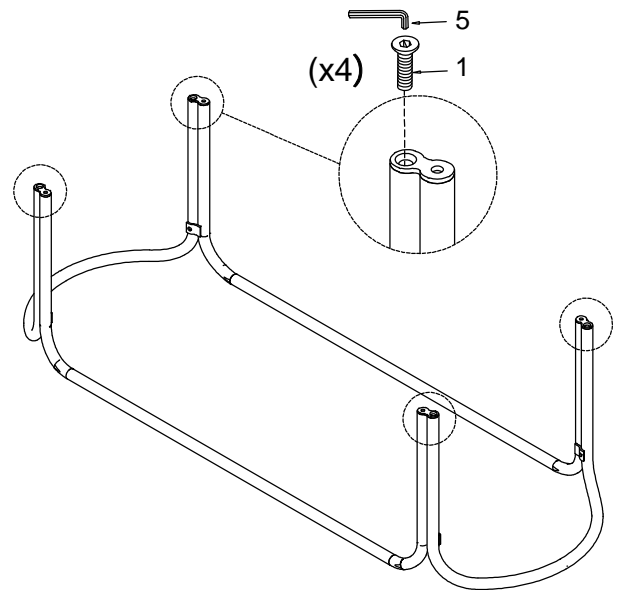
HARDWARE LIST (PUT IN 4997 CARTON)				
No.	Description	Sketch	Size	Q'ty
1	Sunk Bolt		ϕ 1/4"-20 x 5/8"	8Pcs
2	Bolt		ϕ 1/4"-20 x 3/4"	8Pcs
3	Spring Washer		ϕ 1/4"	8Pcs
4	Flat Washer		ϕ 1/4"*16*2mm	8Pcs
5	Allen Key		ϕ 1/4"	1Pc

ASSEMBLY INSTRUCTION

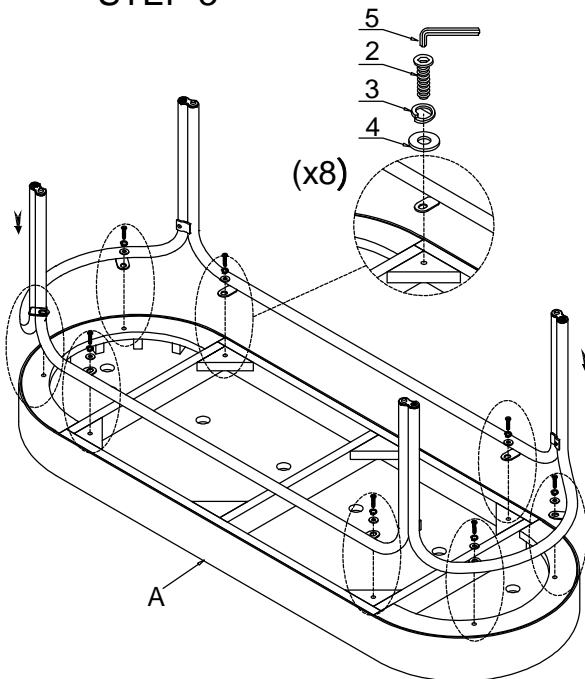
STEP 1



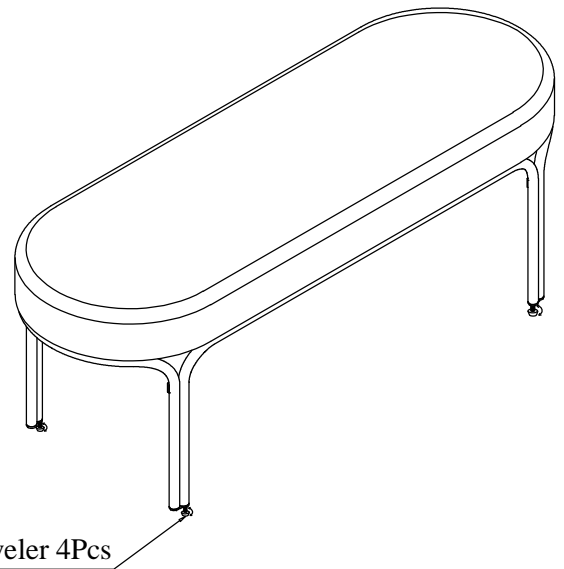
STEP 2



STEP 3



STEP 5



It is recommended to install protective pads under all legs and supports to avoid damage or scratches when placing furniture on a wood floor or other hard surface, and to limit indentation and prevent discoloration if placing on carpet.



Il est recommandé de placer des coussins protecteurs sous tous les pieds toutes les bases des meubles pour éviter d'endommager ou d'égratigner les planchers en bois ou autres surfaces dures, et pour limiter l'empreinte et empêcher la décoloration quand les meubles reposent sur la moquette.