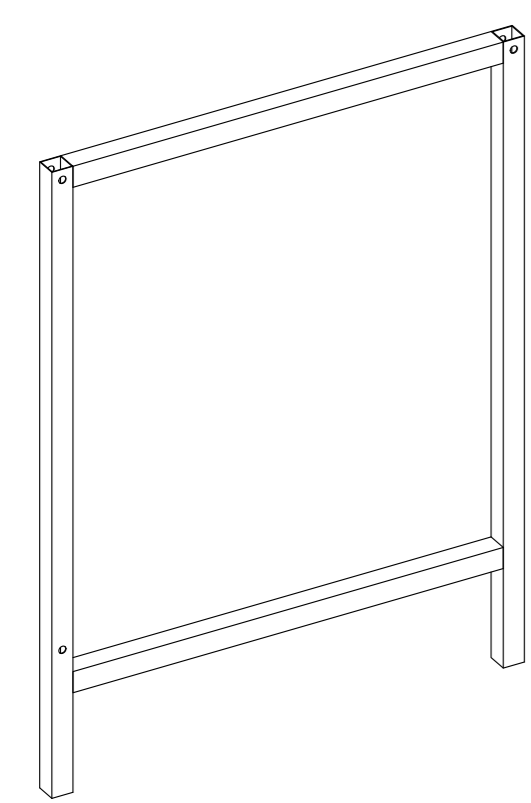




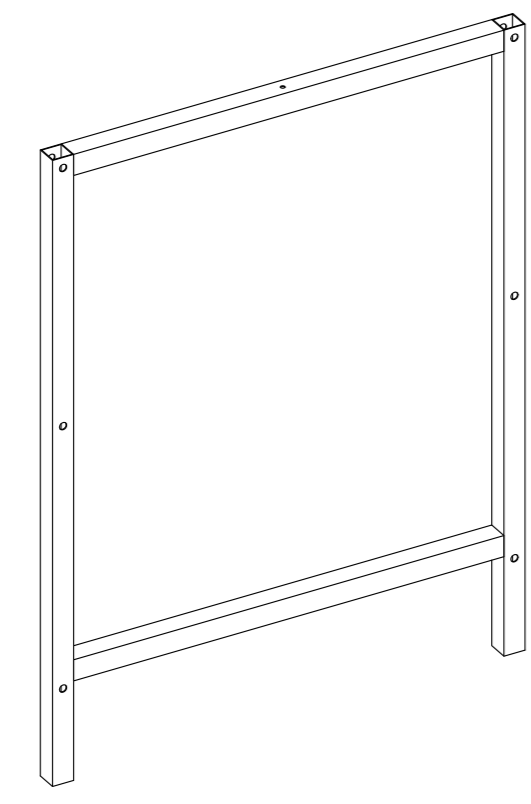
ASSEMBLY INSTRUCTION

4514-15 WRITING DESK & CHAIR (3A)

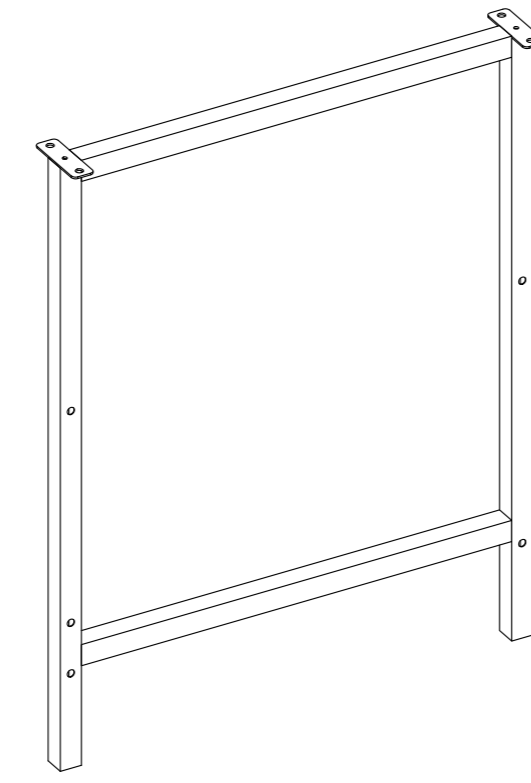
PART LIST:



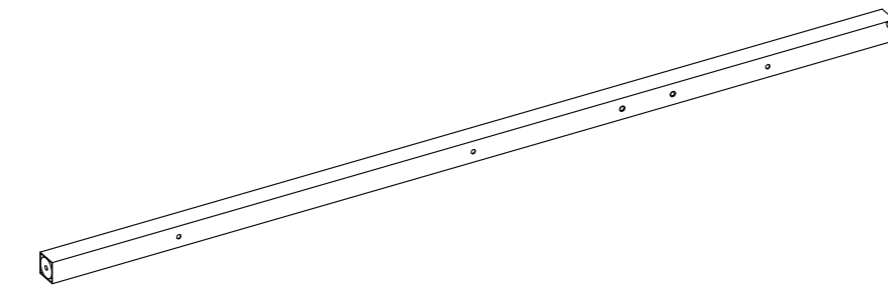
A:Desk Leg Frame,
Left
1PC



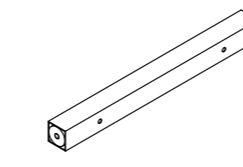
B:Desk Leg Frame
Right
1PC



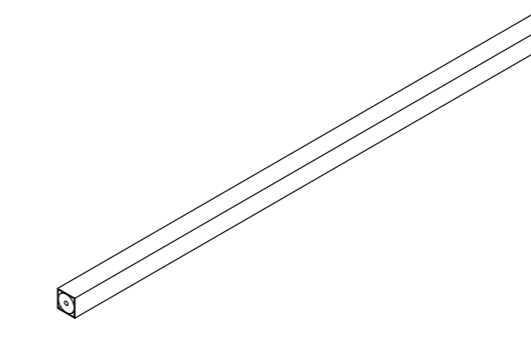
C:Desk Leg Frame,
Middle
1PCS



D:Desk Upper
Cross Bar,
2PCS



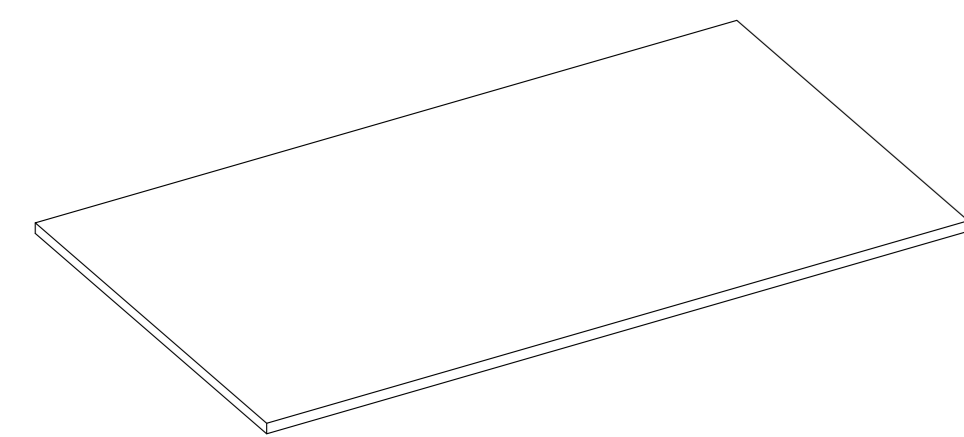
E:Desk Frame
Support Bar,
4PCS



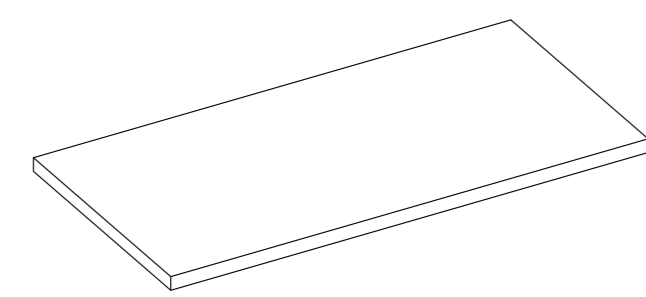
F:Desk Center
Cross Bar,
1PC

HARDWARE LIST

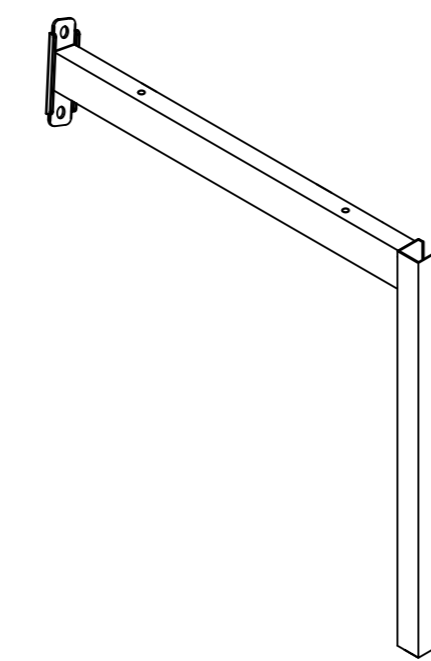
N		Bolt	1/4"*43mm	14pcs
O		Screw	M5*35mm	16pcs
P		Screw	M5*56mm	4pcs
Q		Bolt	1/4"*19mm	10pcs
R		L-Allen Key	4mm	1pc



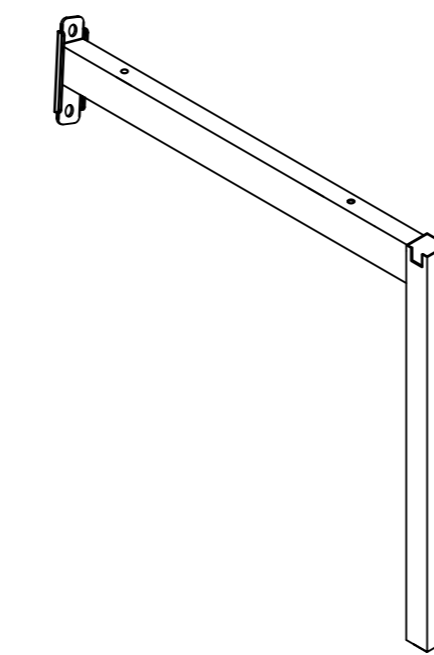
G:Desk Top
1PC



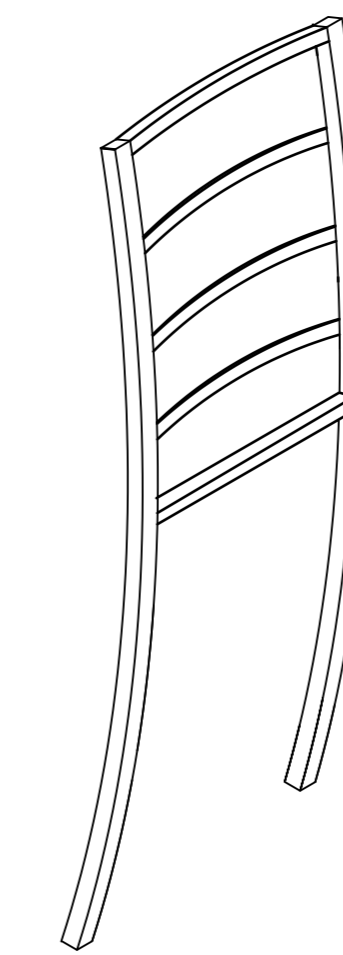
H:Desk Shelf
2PCS



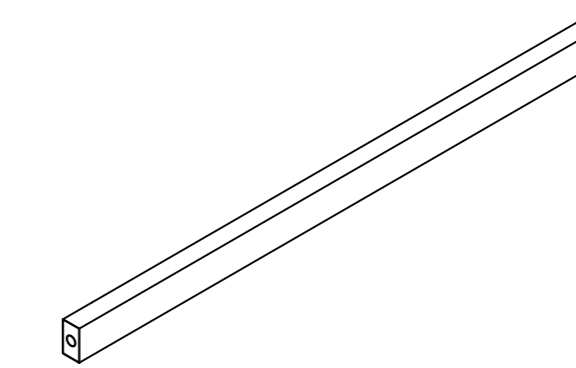
I:Chair Leg Frame,
Left
1PC



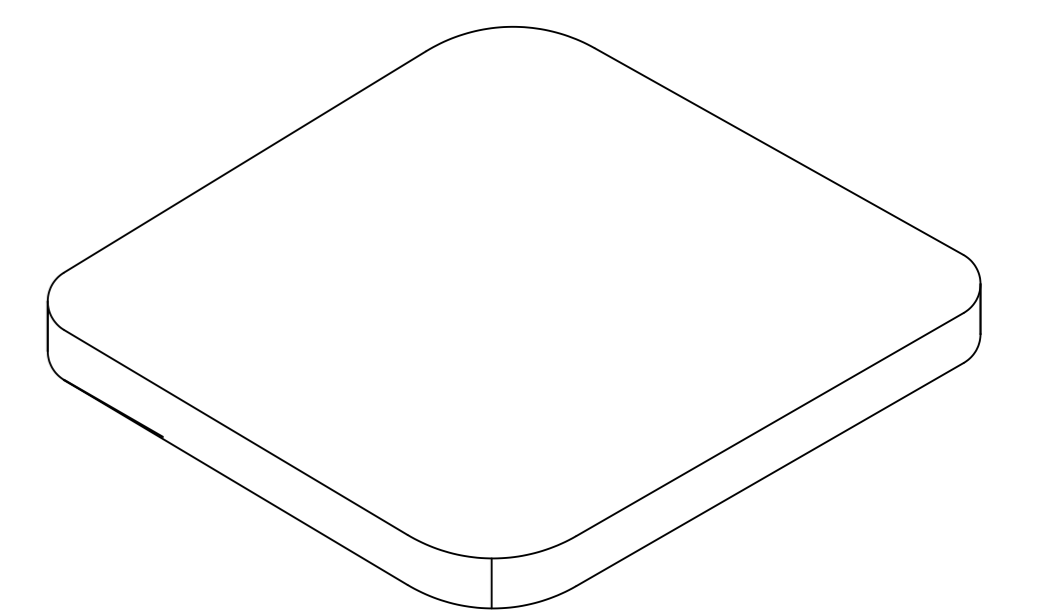
J:Chair Leg Frame,
Right
1PC



K:Chair Back
1PC

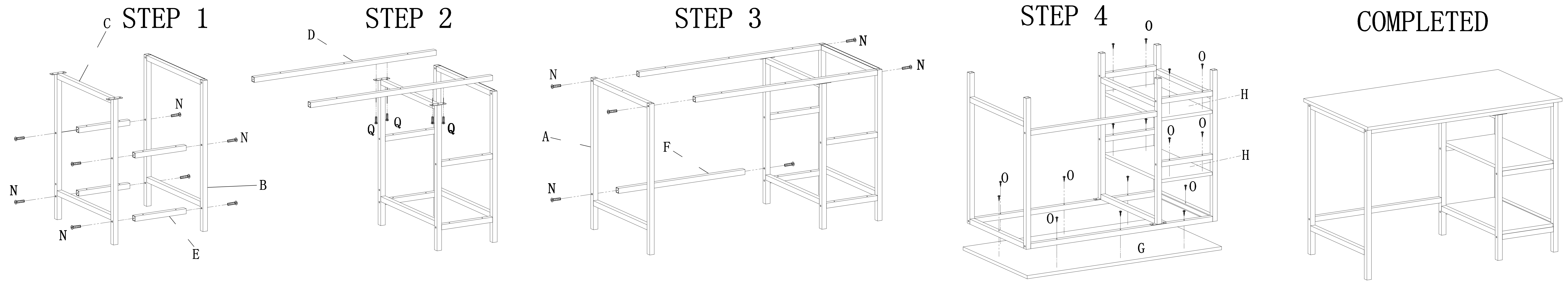


L:Chair Rail
1PC

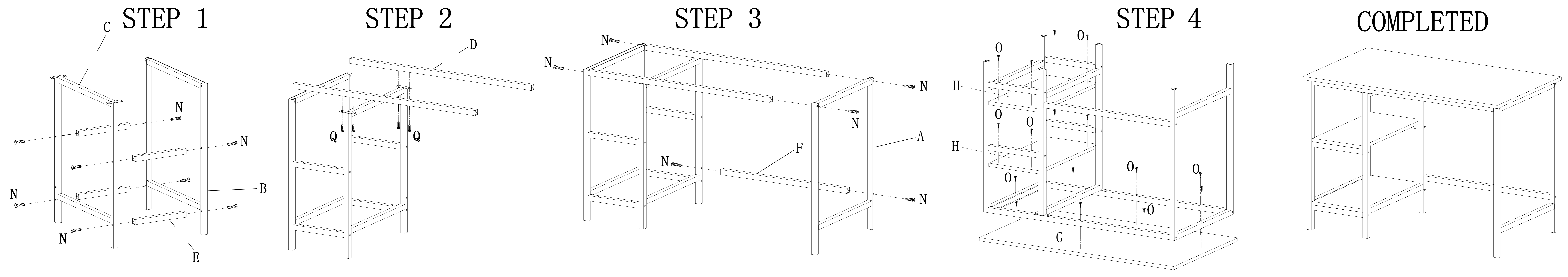


M:Seat Cushion
1PC

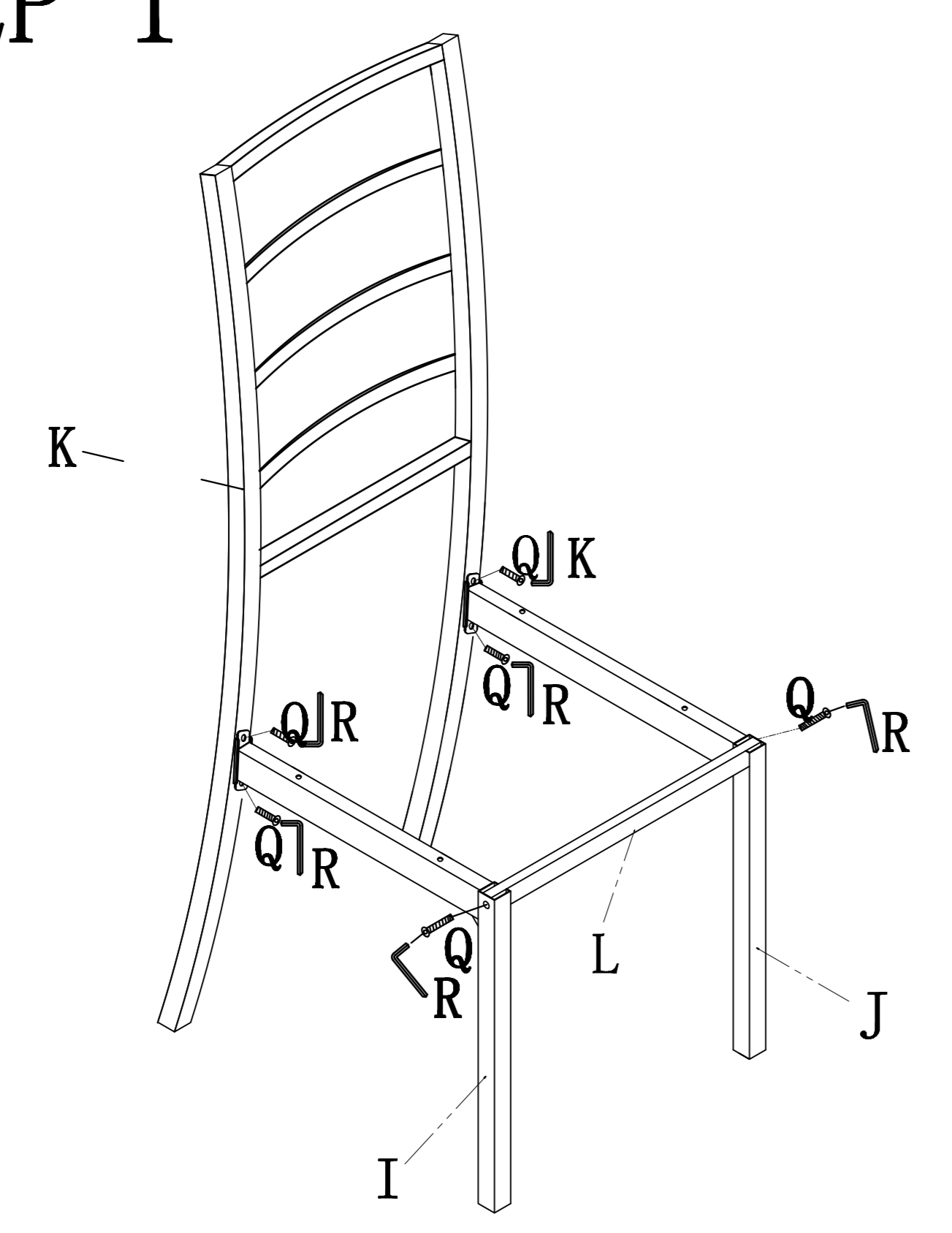
WRITING DESK:
OPTION 1:



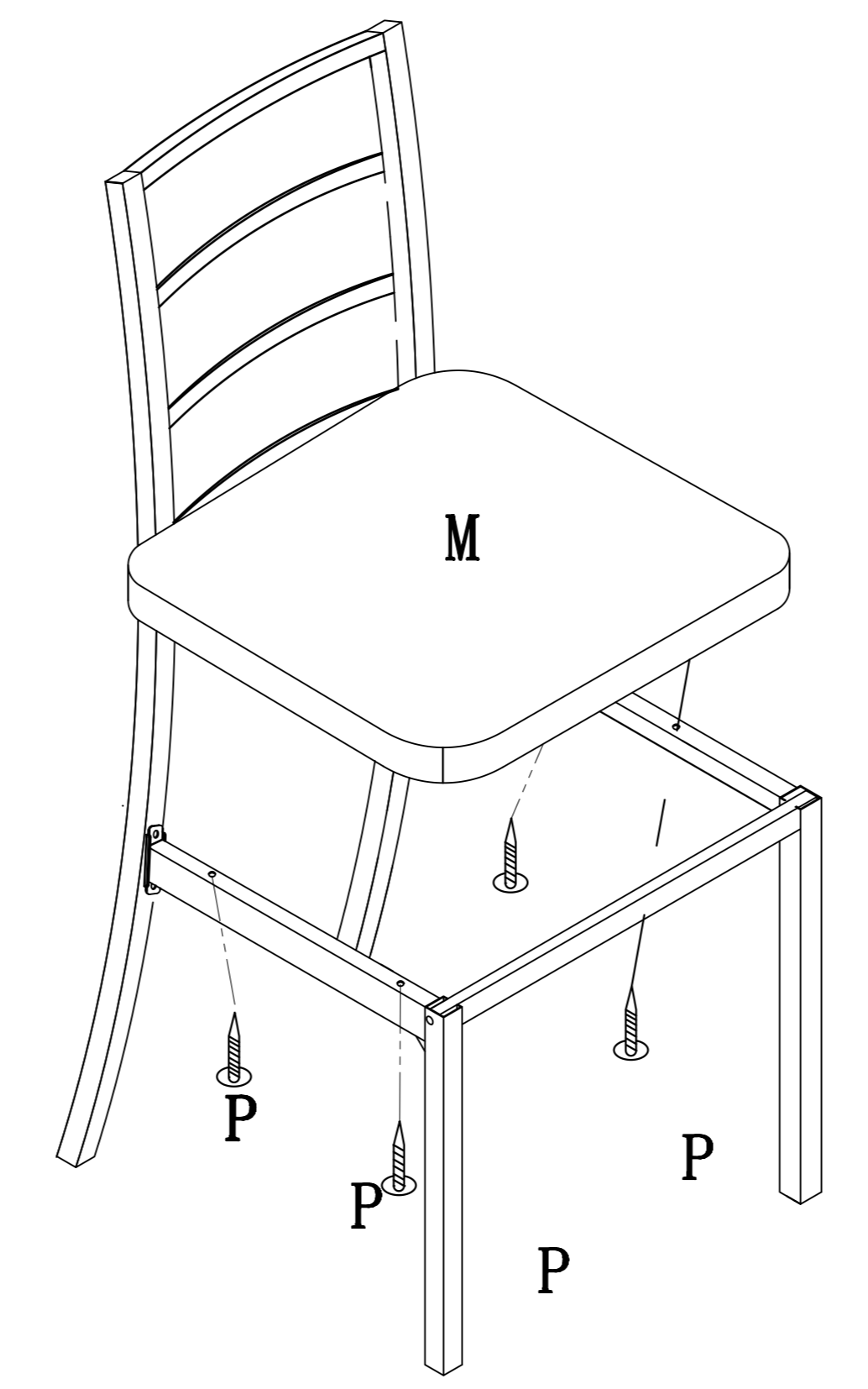
OPTION 2:



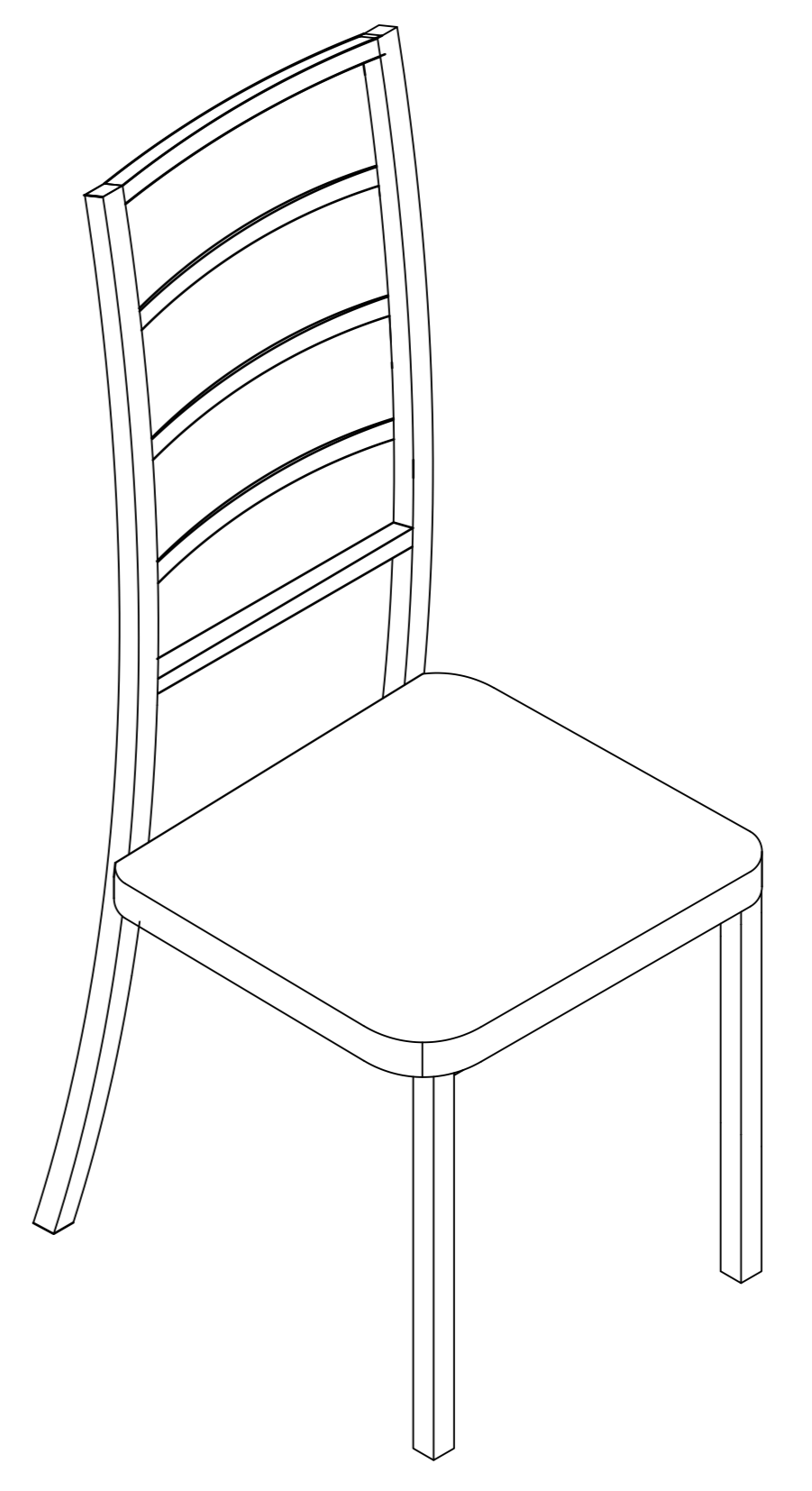
CHAIR: STEP 1



STEP 2



COMPLETED



 For items use on wooden floor, hard surfaces or carpets, it is recommended to Install protective pads under all legs and supports to avoid/prevent from damages/scratches and discoloration.