



Assembly Instruction

Item 2547-72 Dining Table

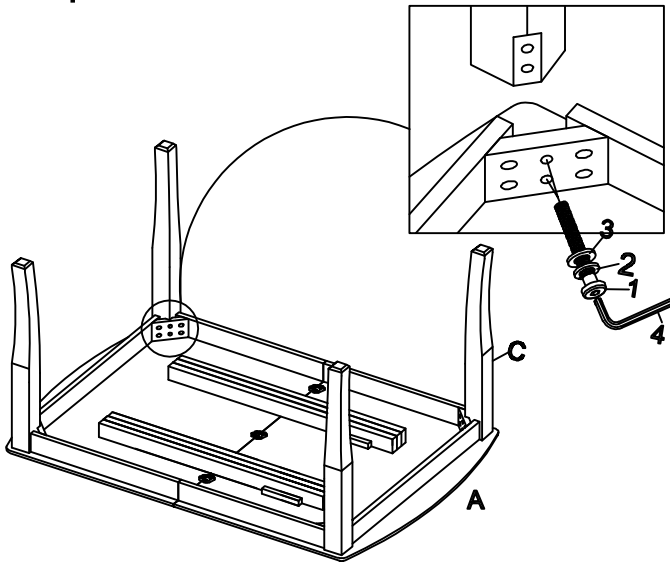
Part list

NO	Description	Drawing	Q'TY
A	TABLE TOP		1 PC
B	LEAF		1 PC
C	TABLE LEGS		4 PCS

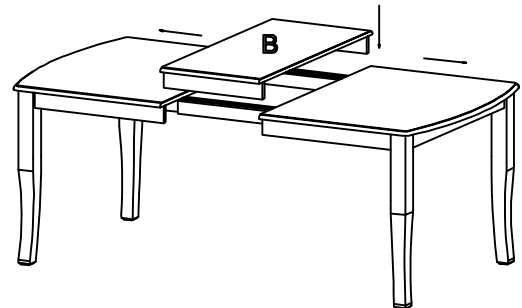
Hardware list

NO	Drawing	Specification	Q'TY
1		5/16**60mm	8 PCS
2		5/16**Ø13*2mm	8 PCS
3		5/16**Ø19*2mm	8 PCS
4		ALLEN KEY (4mm)	1 PC

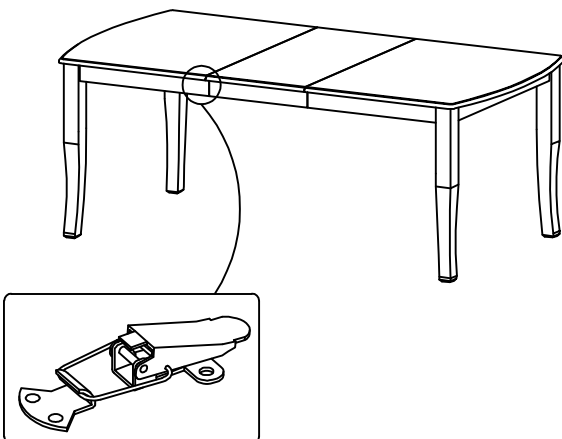
Step1



Step2



Step3



Final

