



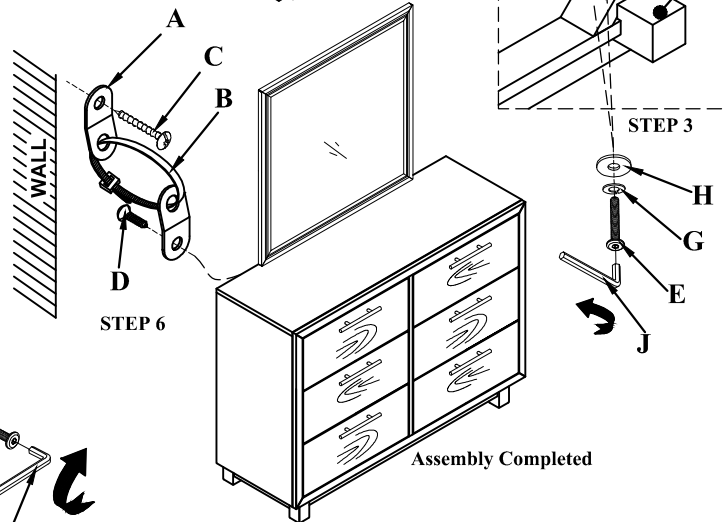
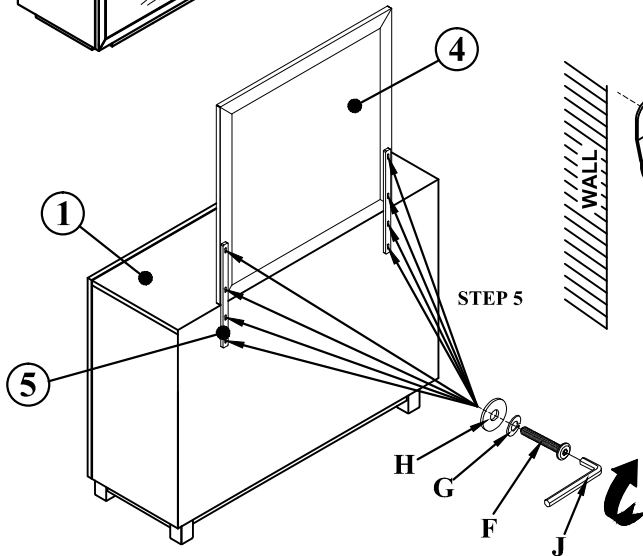
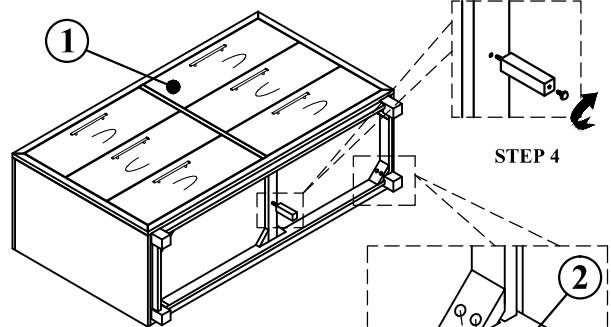
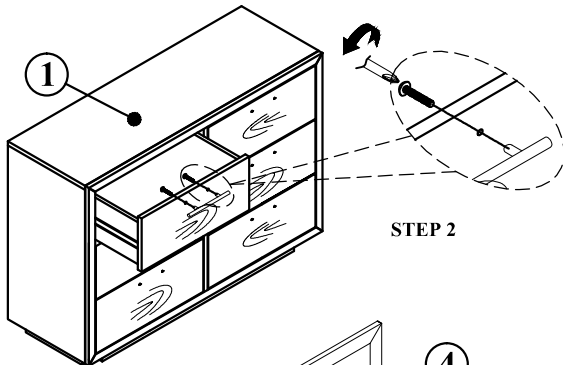
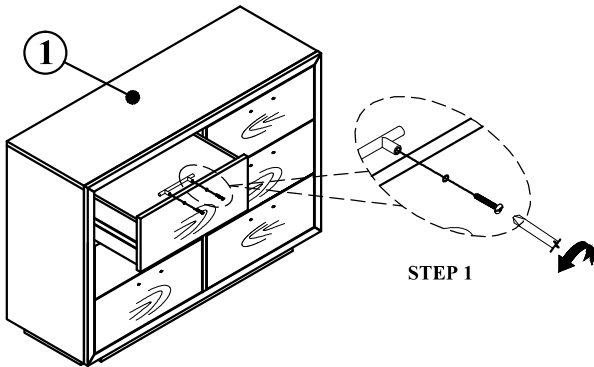
ASSEMBLY INSTRUCTION

ITEM # : 2056 - 5 DRESSER
2056 - 6 MIRROR

PART LIST		
1	DRESSER	1PC
2	BUN FOOT	4PCS
3	MIDDLE SUPPORT LEG	1PC
4	MIRROR	1PC
5	MIRROR SUPPORT	2PCS

ANTI-TIPPING HARDWARE PACK IN - 5			
A		BRACKET	2PCS
B		TIE WRAP	1PC
C		LONG SCREW (#8 x 2")	1PC
D		SHORT SCREW (#8 x 5/8")	1PC
E		BOLT (Ø 1/4" x 2")	8PCS
G		SPRING WASHER (Ø1/4")	8PCS
H		FLAT WASHER (Ø1/4")	8PCS
J		ALLEN KEY	1PC

HARDWARE LIST IN - 6			
F		BOLT (Ø 1/4" x 1-3/8")	8PCS
G		SPRING WASHER (Ø1/4")	8PCS
H		FLAT WASHER (Ø1/4")	8PCS
J		ALLEN KEY	1PC



STEP 6

Assembly Completed

MADE IN VIETNAM



For items use on wooden floor, hard surfaces or carpets, it is recommended to install protective pads under all legs and supports to avoid/prevent from damages/scratches and discoloration.