

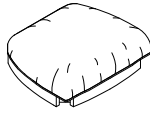
ASSEMBLY INSTRUCTION

Item#1935S : SIDE CHAIR

- (A) Chair Back (B) Seat Cushion- Frame (C) Front Leg (D) Bolt (Ø5/16" x 3")



1pc



1pc



2pcs



4pcs

- (E) Bolt (Ø5/16" x 2-1/4")



4pcs

- (F) Bolt (Ø5/16" x1 - 3/4")



1pc

- (G) Flat washer (Ø5/16" x Ø19mm)



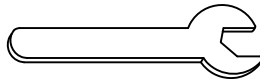
9pcs

- (H) Spring washer (Ø5/16")

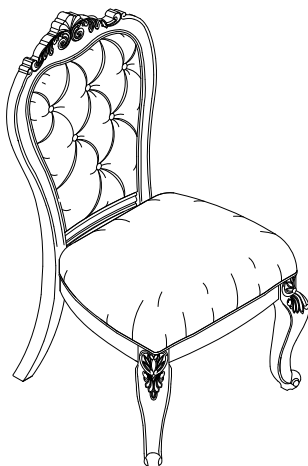


9 pcs

- (I) Wrench Ø5/16" (12mm)



1pc



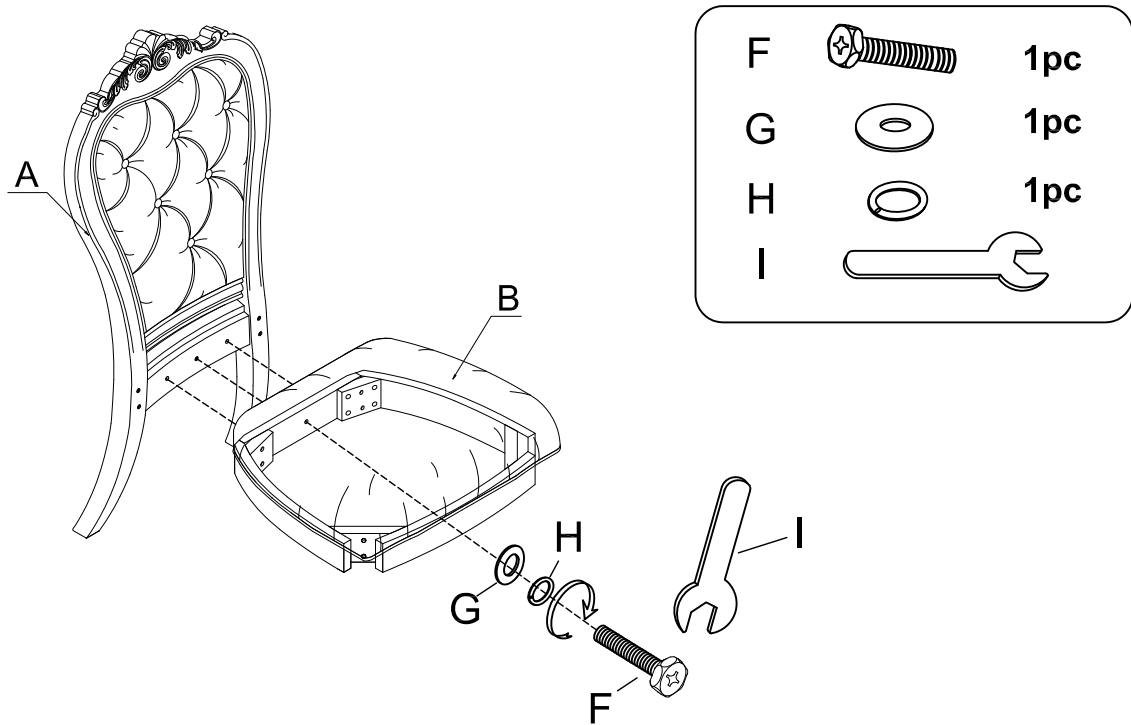
This page lists all the contents included in the box. Please take time to identify the hardware as well as the individual components to this product. As you unpack and prepare for assembly, place the contents on a carpeted or padded area to protect them from damage.

! For items use on wooden floor, hard surfaces or carpets, it is recommended to install protective pads under all legs and supports to avoid/prevent from damages/scratches and discoloration.

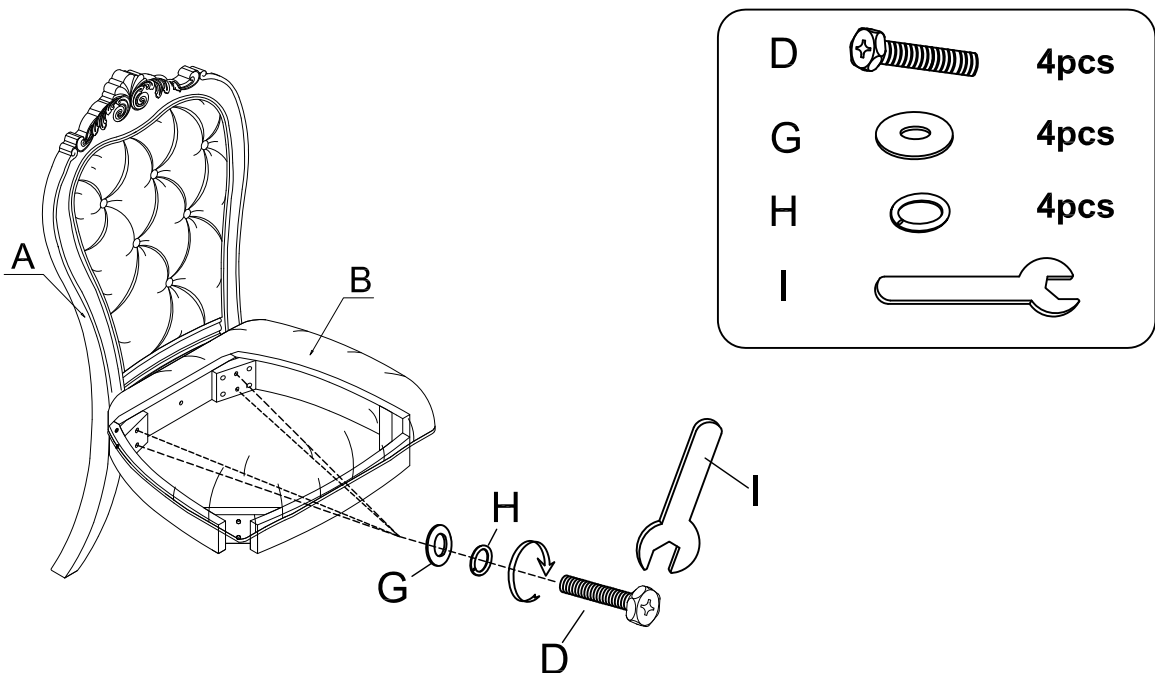
Made in Vietnam

1

Attach the seat cushion frame (B) to the chair back (A) with 1pc bolt (F), 1pc flat washer(G), 1 pc spring washer (H) then tighten using wrench (I).

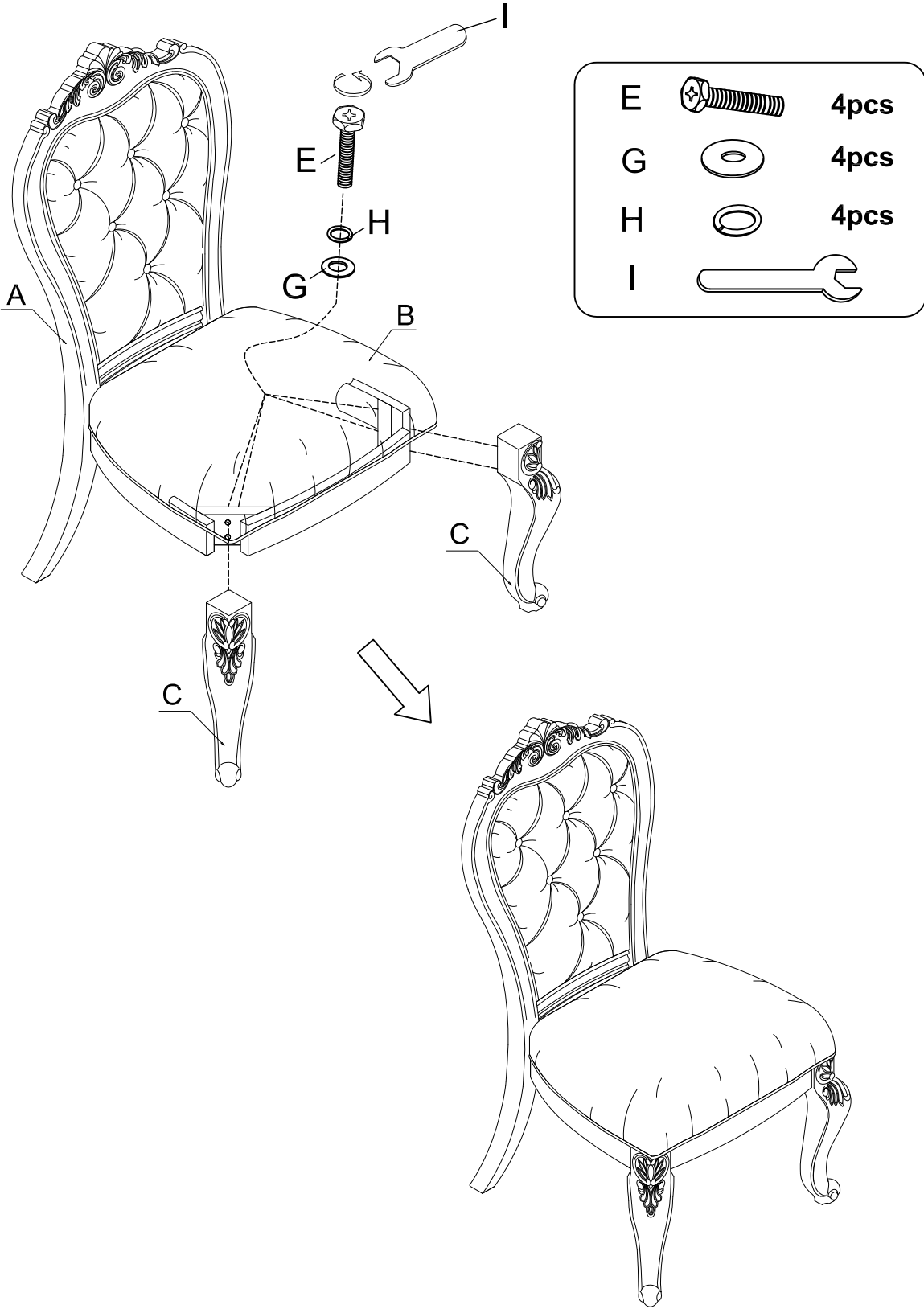
**2**

Attach the seat cushion frame (B) to the chair back (A) with 4pcs bolt (D), 4pcs flat washer (G), 4 pcs spring washer (H) then tighten using wrench (I).



3

Attach the front legs (C) to the seat cushion frame (B) with 4pcs bolt (E), 4 pcs flat washer(G), 4 pcs spring washer (H) then tighten using wrench (I).



Cleaning & Care

Treat surface with care. Clean surfaces with a dry or damp soft cloth. Do not use abrasive cleaners. Hardware may loosen over time. Periodically check that all connections are tight.

Made in Vietnam