



ASSEMBLY INSTRUCTION

Item No.:
 1486K - 1 (1/3) California/Eastern King Headboard
 1486K - 2 (2/3) California/Eastern King Footboard & Slats
 1486K- 3CK(3/3) California King Side Rails with Crown

Thank you for purchasing this quality product. Be sure to check all packing material carefully for small Hardware which may have come loose inside the carton during shipment. Identify and count all hardware and compare with the hardware list below

! It is recommended to install protective pads under all legs and supports to avoid damage or scratches when placing furniture on a wood floor or other hard surface, and to limit indentation and prevent discoloration if placing on carpet.

| Part List | | |
|-----------|-----------------------|-------|
| NO. | Description | Q'TY |
| 1 | Headboard | 1PC |
| 2a | Headboard Post RSF | 1PC |
| 2b | Headboard Post LSF | 1PC |
| 3 | Footboard | 1PC |
| 4 | Rails | 2PCS |
| 5 | Slat Roll | 13PCS |
| 6 | Slat supports | 10PCS |
| 7 | Headboard support bar | 1PC |
| 8 | Footboard support leg | 2PCS |

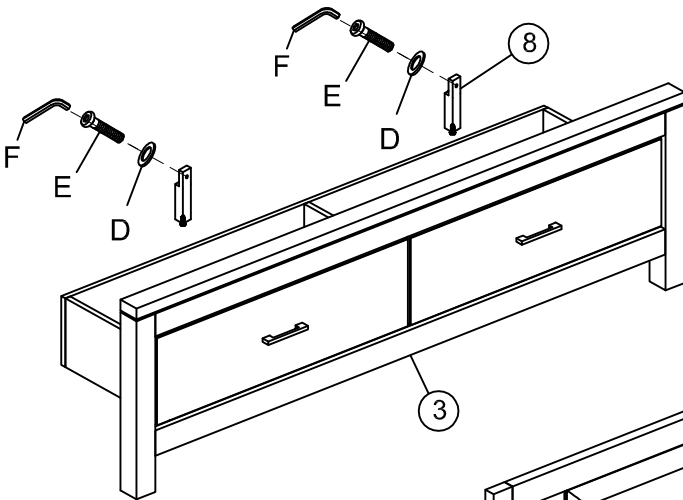
| Hardware List In-K-1 | | | |
|----------------------|-----------------------|--------|-------|
| NO. | Description | Sketch | Q'TY |
| A | Flat washer Ø5/16" | | 10PCS |
| B | Bolt Ø5/16" x 1-7/8"L | | 10PCS |
| C | Allen Key 2-1/2"L | | 1PC |
| M | Plug with connector | | 1PC |

| Hardware List In-K-2 | | | |
|----------------------|----------------------|--------|-------|
| NO. | Description | Sketch | Q'TY |
| D | Flat washer Ø1/4" | | 2PCS |
| E | Bolt Ø1/4" x 1-3/8"L | | 2PCS |
| F | Allen Key 2-1/2"L | | 1PC |
| G | Screw Ø4 x 1-1/4"L | | 26PCS |

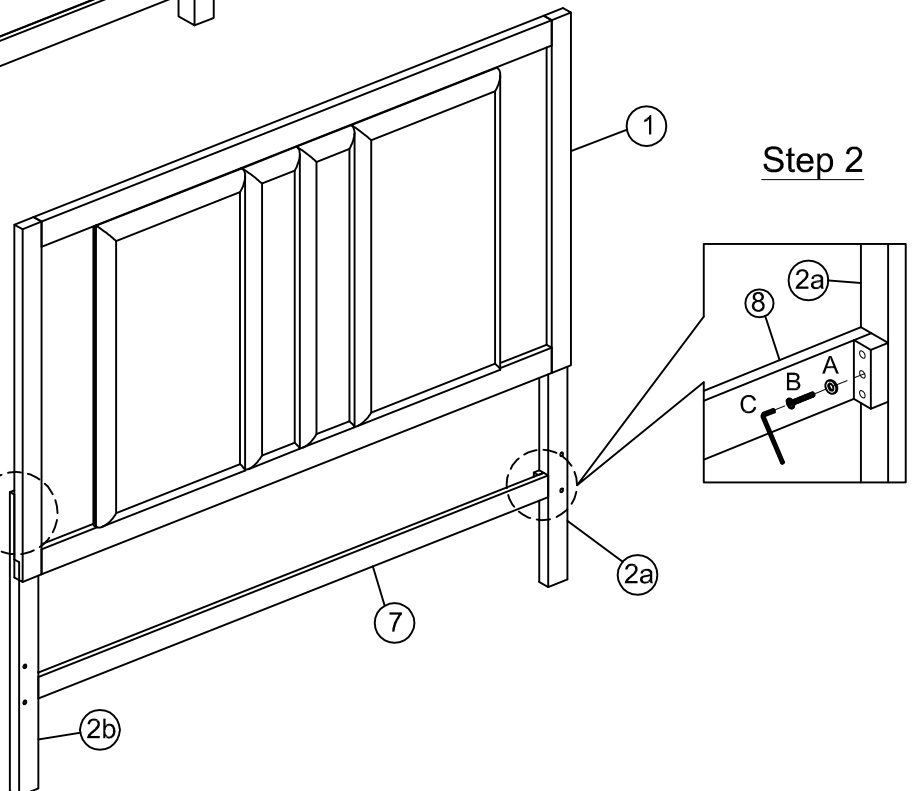
| Hardware List In - 3 | | | |
|----------------------|---------------------------------|--------|------|
| NO. | Description | Sketch | Q'TY |
| H | Thread Bolt Ø5/16"-18 x 3-1/8"L | | 8PCS |
| I | Curved washer Ø5/16" | | 8PCS |
| J | Nut Ø5/16" | | 8PCS |
| K | Open Wrench 1/2" x 3-1/2"L | | 1PC |

Tools Required: Please use a screwdriver for the screwdriver is not included.

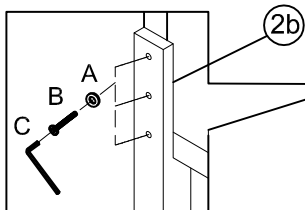
Step 1



Step 2



Step 3



NOTE:

! Must tighten screws periodically with use. Screws will become loose, check tightness of all screws every 6-8 weeks.

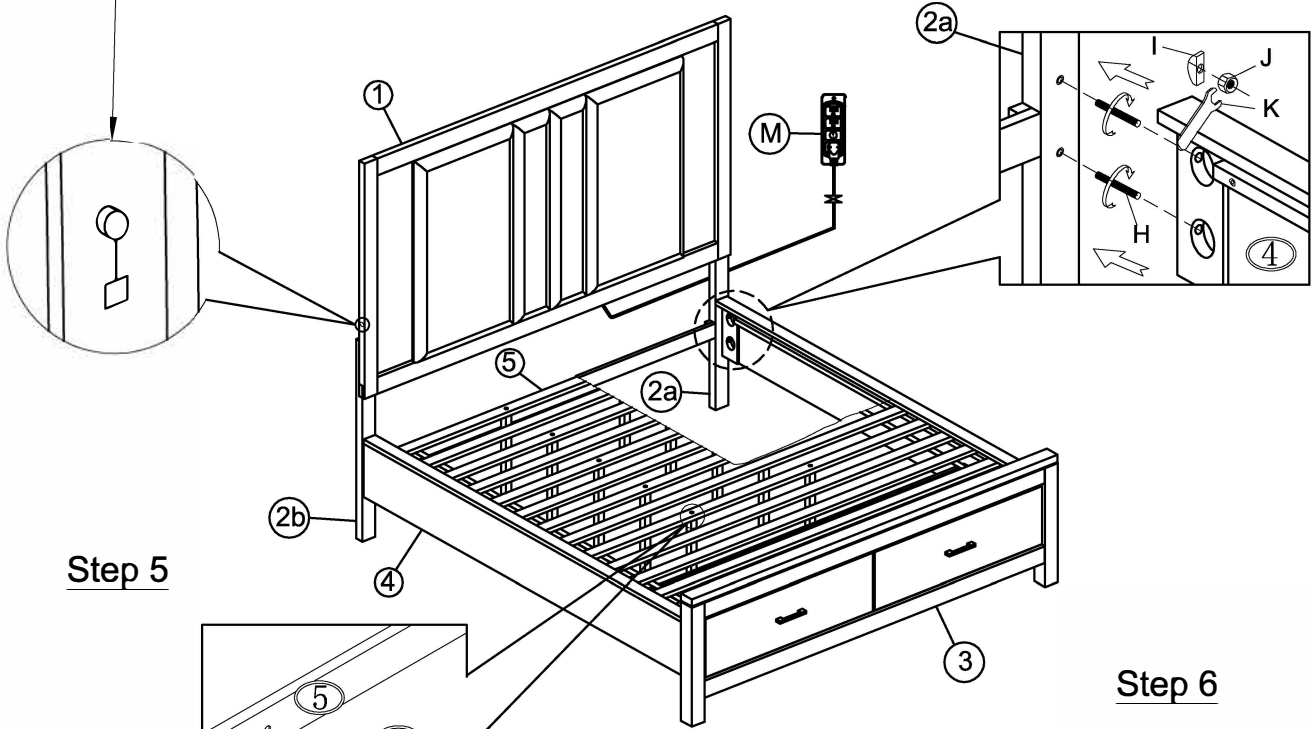


ASSEMBLY INSTRUCTION

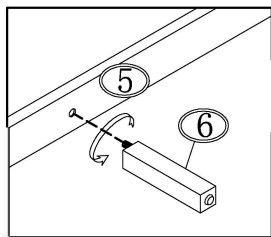
Item No.:
1486K - 1 (1/3) California/Eastern King Headboard
1486K - 2 (2/3) California/Eastern King Footboard & Slats
1486K - 3CK(3/3) California King Side Rails with Crown

3 level touch up LED light

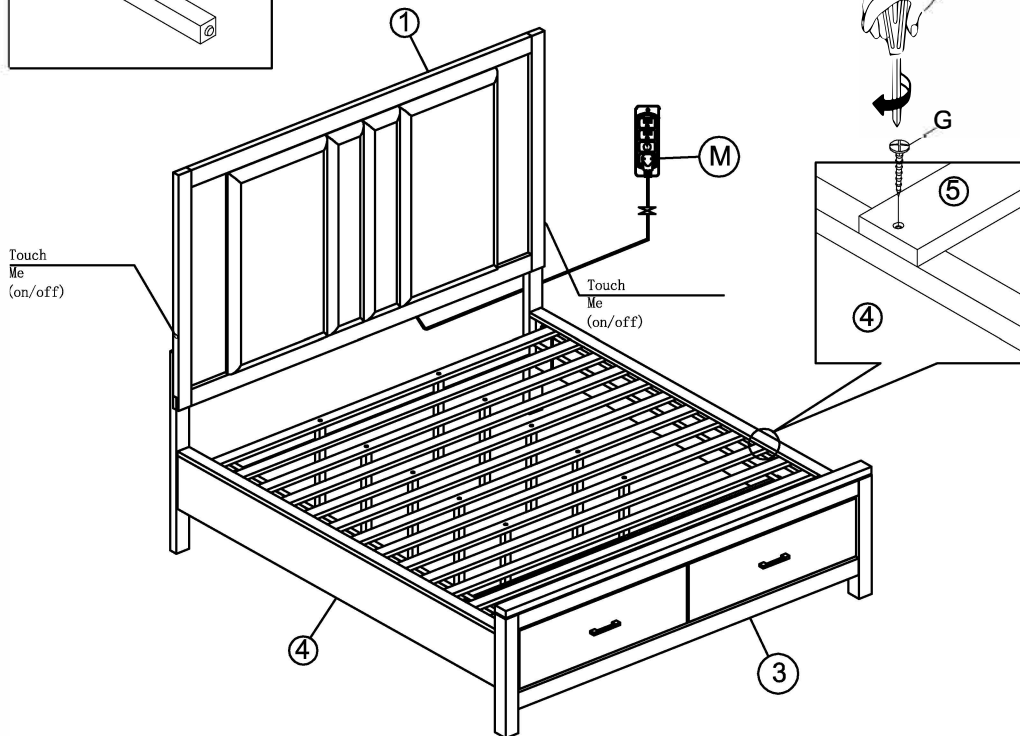
Step 4



Step 5



Step 6



NOTE :

DO NOT TIGHTEN BOLTS UNTIL COMPLETELY ASSEMBLED.