



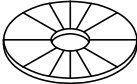





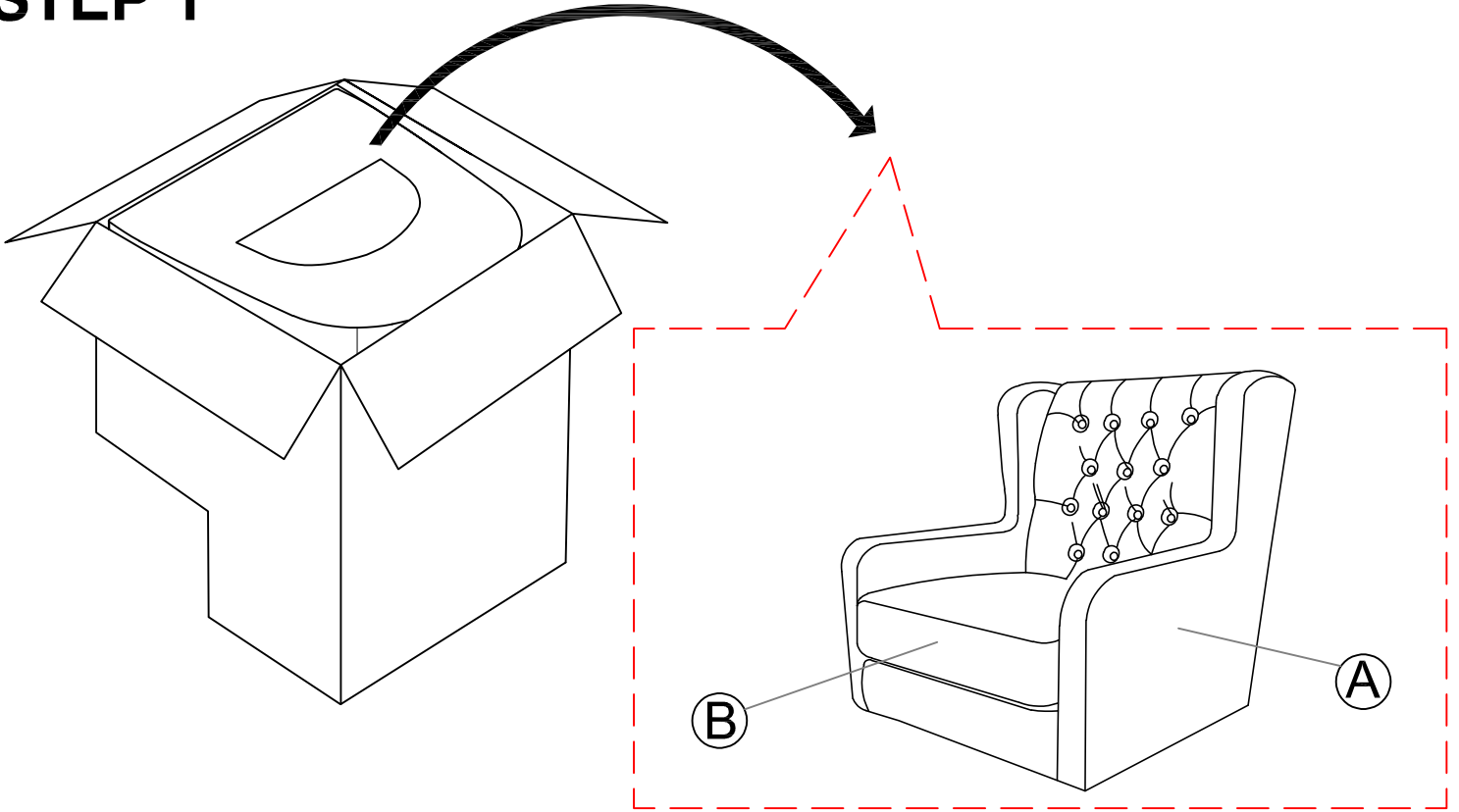
Legs & hardware are stored in the bottom of seat , please take out the legs and hardware for assembly.

Note: Do not use power tools for assembly. Power tools increase the risk of over tightening which lead to splitting or cracking the wood.

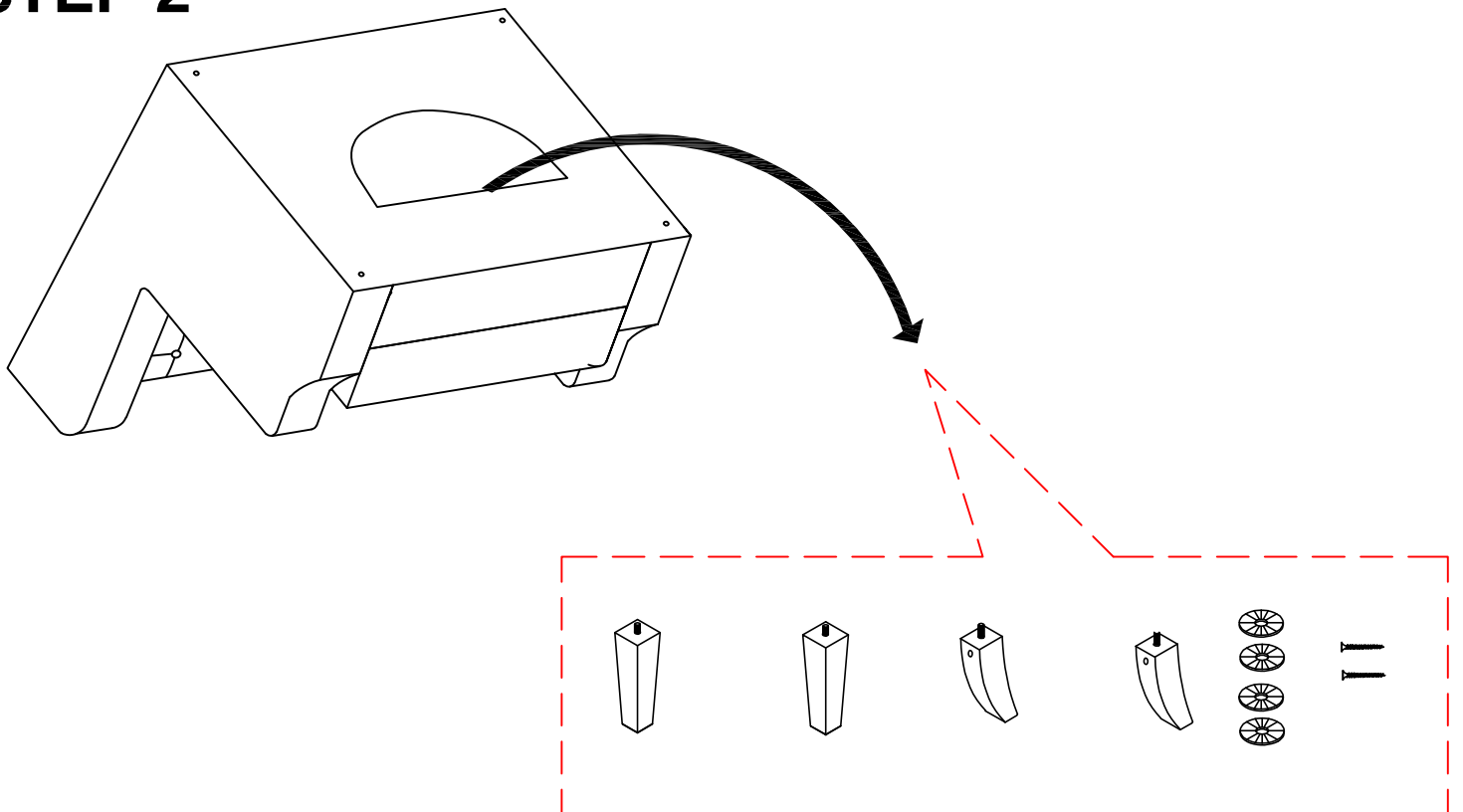
Component list

No	Drawing	Qty	Description
A		1	SEAT
B		1	SEAT CUSHION
C		2	WOODEN FRONT LEGS (2 .25"*2 .25"*7 .75")
D		2	WOODEN REAR LEGS (2.25"*2"*7.5")
E		4	GASKET (Ø50mm)
F		2	SCREW (M4*50mm)

STEP 1

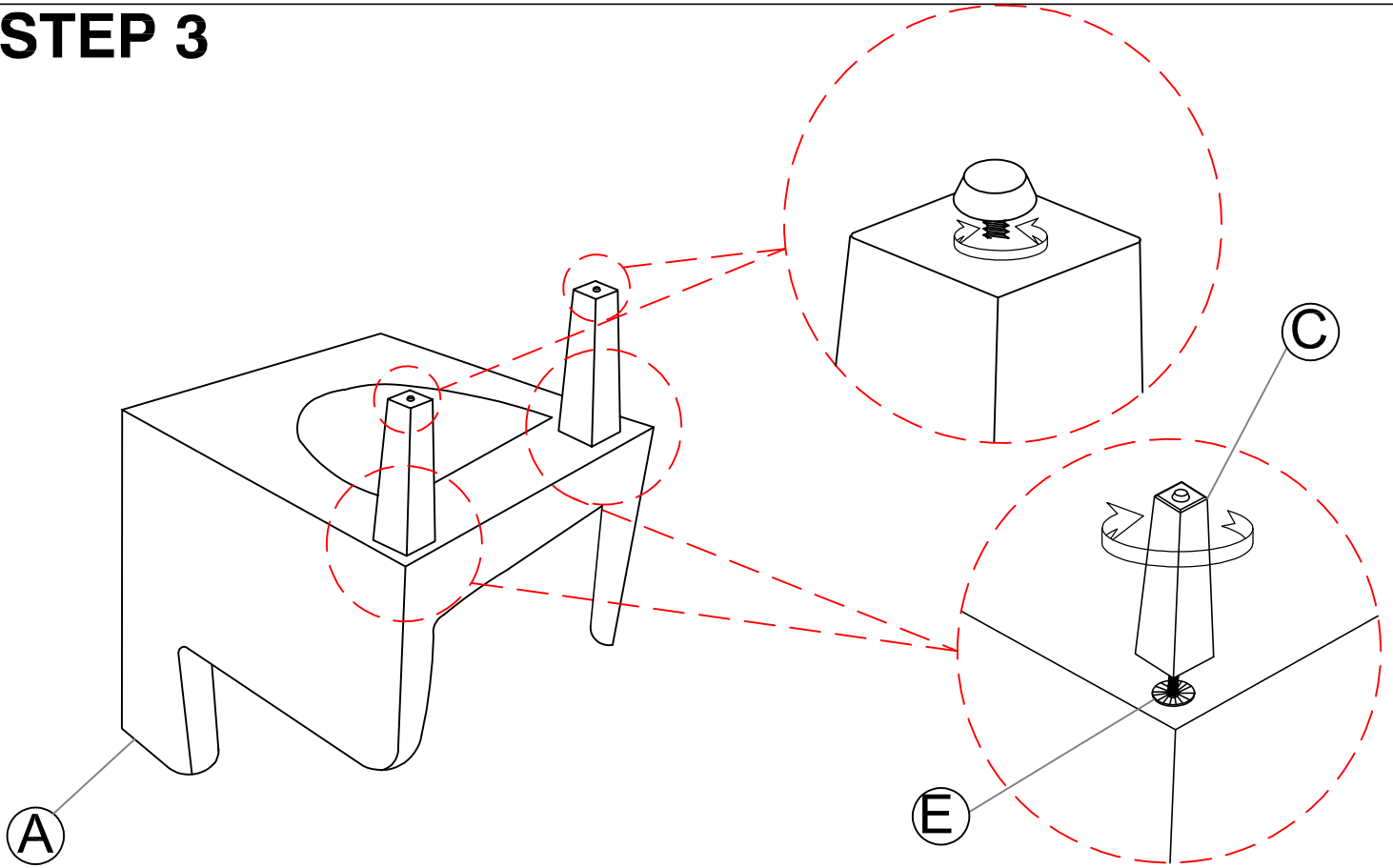


STEP 2

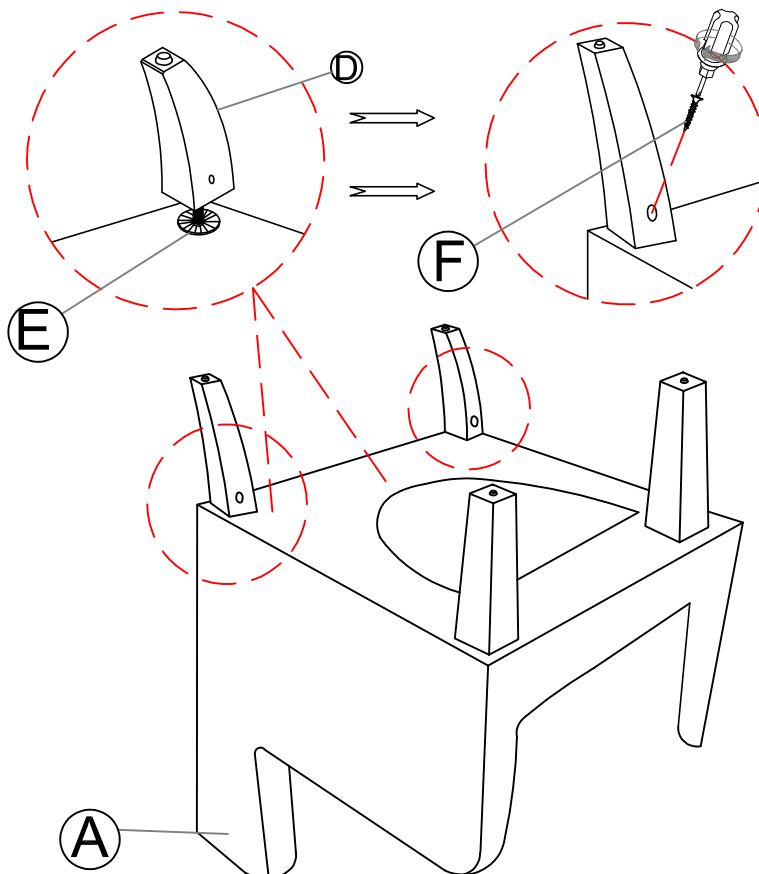


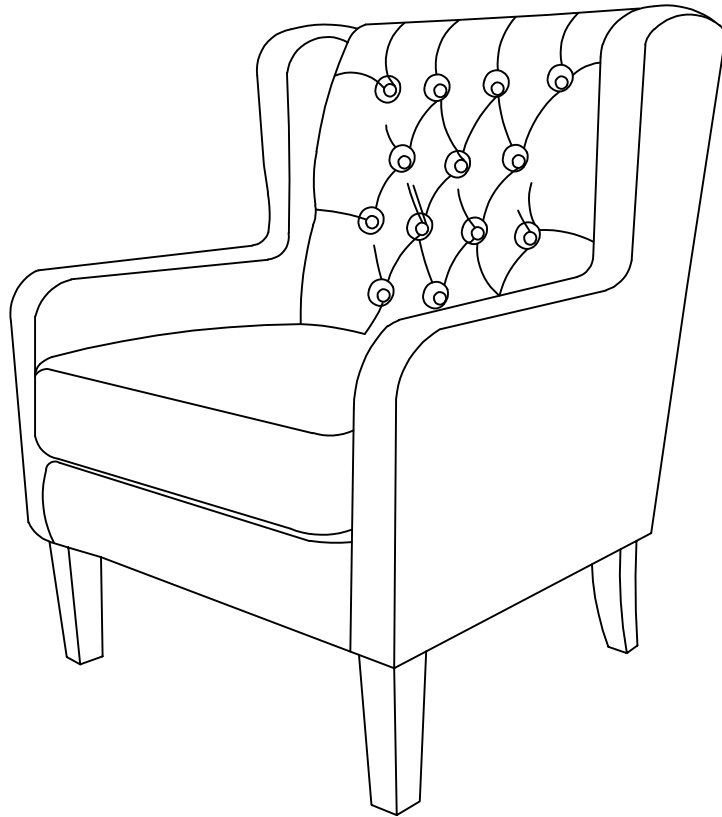


STEP 3



STEP 4





COMPLETED.

Care Instruction for TEXTURED Furniture:

In order to maintain the original appearance of your textured Furniture, please follow below simple care procedures:

- Avoid exposing furniture directly to sunlight or heating and air conditioning outlets. Sunlight and or exposure to heating and air conditioning outlets will fade/damage Textured.
- Vacuum or wipe with a soft cloth to remove dust.
Hardware may loosen over time.
Periodically check to make sure all connection are tight, Re-tighten if necessary.



For items use on wooden floor, hard surfaces or carpets, it is recommended to Install protective pads under all legs and supports to avoid/prevent from damages/scratches and discoloration.