



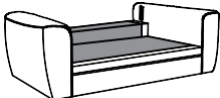
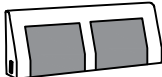



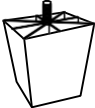

ASSEMBLY INSTRUCTION

ITEM NO: 9745BE/DG-2

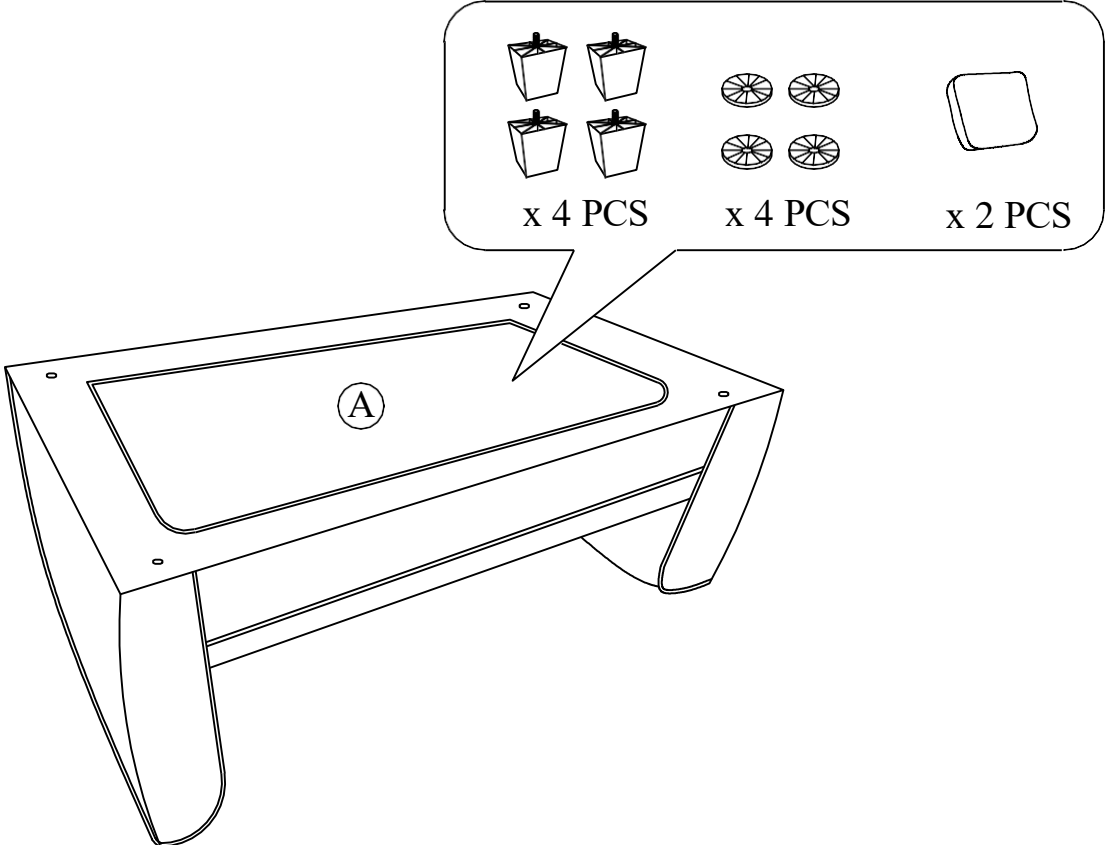
LOVE SEAT



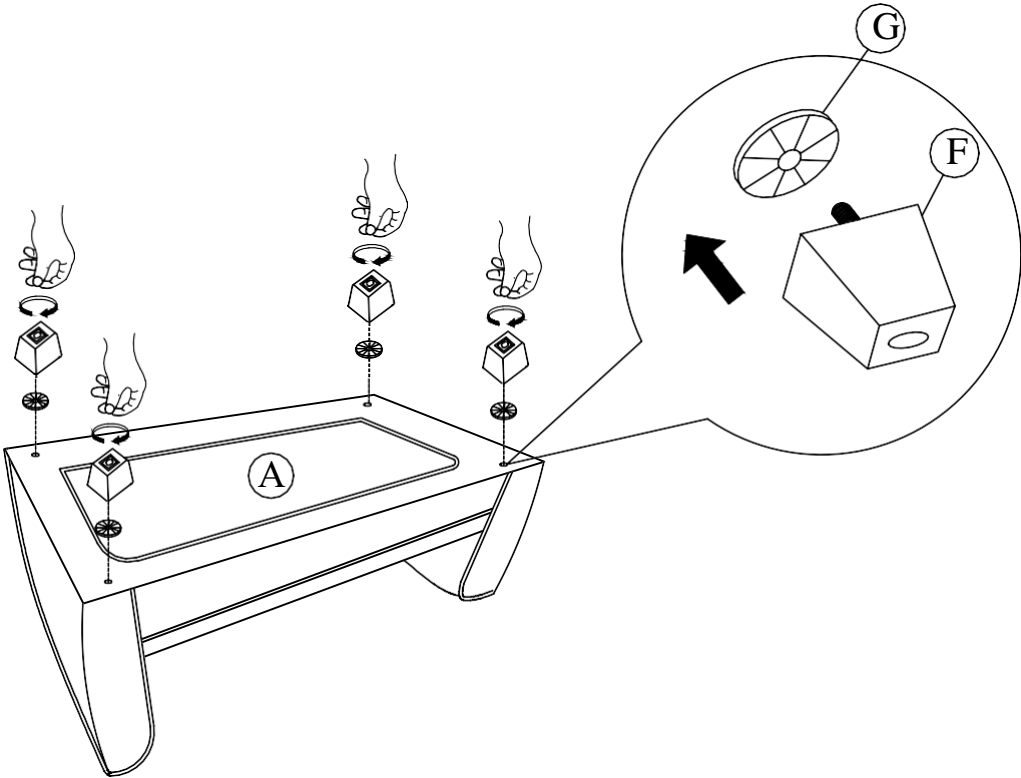
Note: Do not use power tools for assembly. Power tools increase the risk of over tightening which leads to splitting or cracking the wood.

TOOLS REQUIRED : NO TOOLS REQUIRED			
NO.	DRAWING	DESCRIPTION	QTY
A		LOVE SEAT BASE	1PC
B		BACK REST	1PC
C		SEAT CUSHION	2PCS
D		BACK CUSHION	2PCS
E		PILLOWS (19"x19")	2PCS
F		PLASTIC LEGS (8CM)	4PCS
G		WASHERS (Ø4.7CM)	4PCS

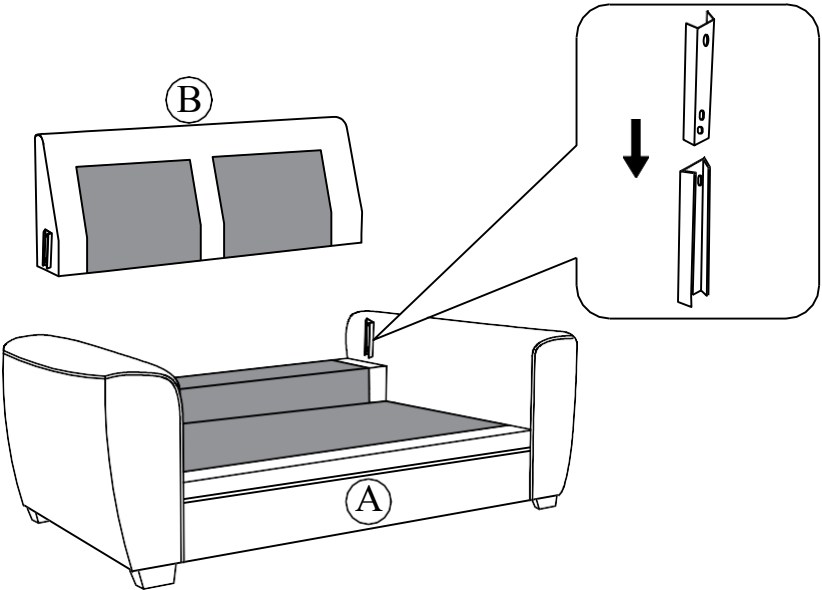
STEP 1



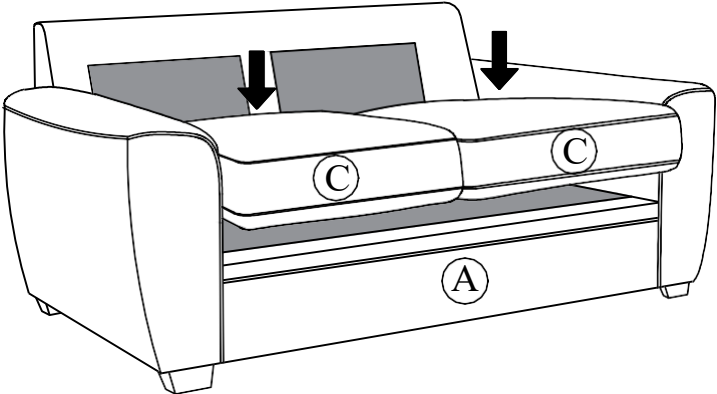
STEP 2



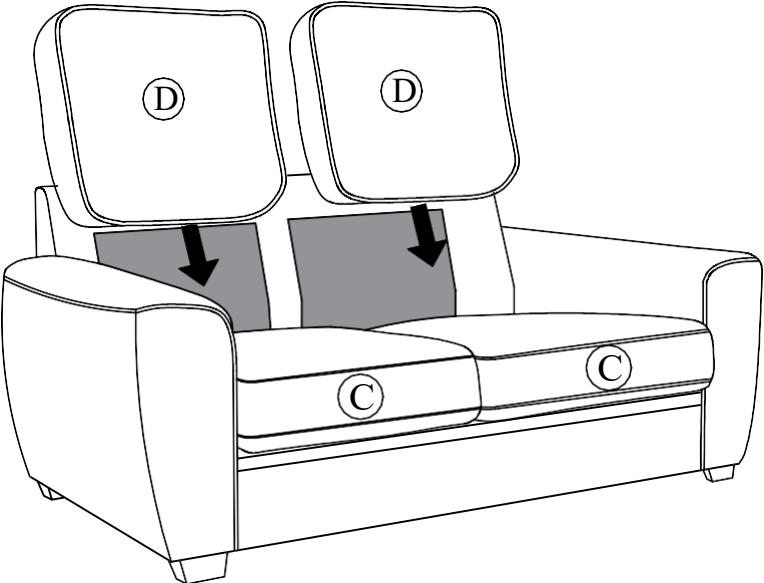
STEP 3



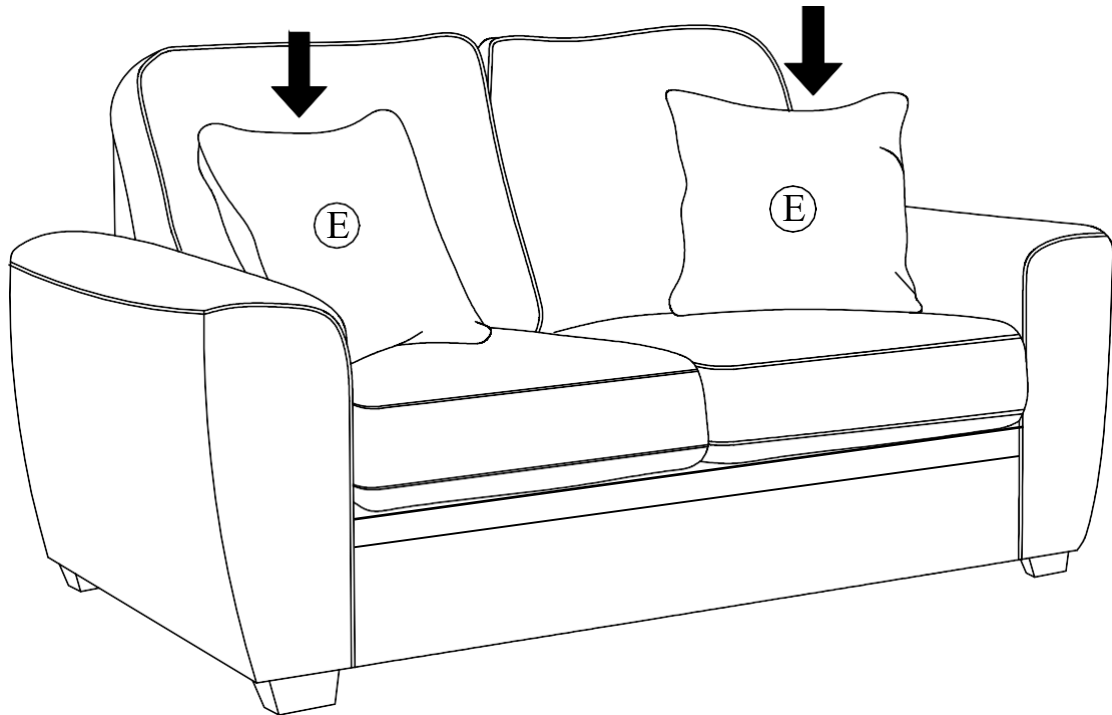
STEP 4



STEP 5



COMPLETED



Care Instruction for Chenille Furniture:

In order to maintain the original appearance of your Chenille ,please follow the simple care procedures below:

- Avoid exposing furniture directly to sunlight or heating and air conditioning outlets. Sunlight and/or exposure to heating and air conditioning outlets will fade/damage Chenille .
- Vacuum or wipe with a soft cloth to remove dust.
- Hardware may loosen over time. Periodically check to make sure all connections are tight.Re-tighten if necessary.



For items used on wooden floor, hard surfaces or carpets, it is recommended to install protective pads under all legs and supports to prevent damages,scratches,and discoloration.