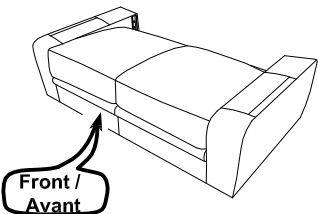
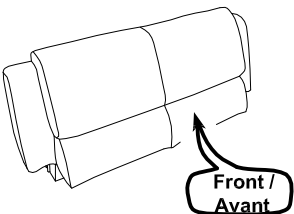
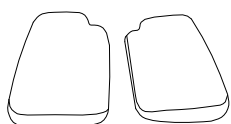
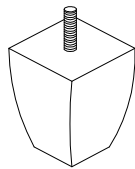

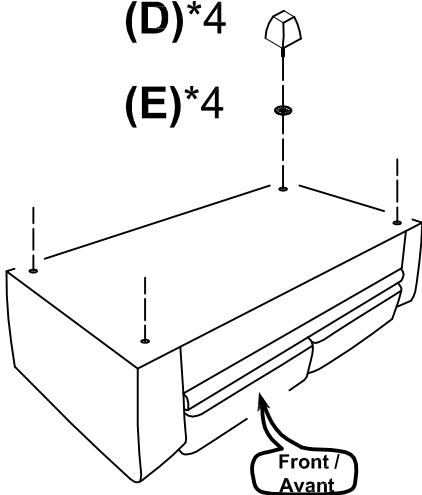
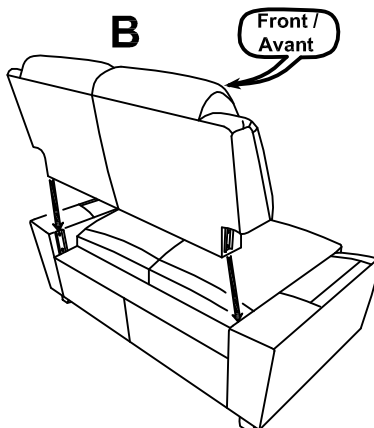
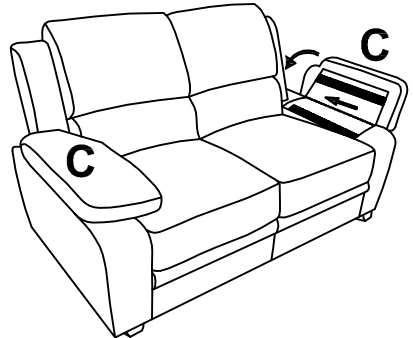


Model: #9138/#9151 -2

Assembly Instructions / Les Instructions D'Assemblage

Parts List / Liste de Pieces:

<p>A*1PC</p> 	<p>B*1PC</p> 	<p>C*1 PAIR / PAIRE</p> 
<p>D*4 PCS</p> 	<p>E*4 PCS</p> 	

<p>Step 1 / Etape 1:</p> <p>(D)*4</p> <p>(E)*4</p> 	<p>Step 2 / Etape 2:</p> <p>B</p> 	<p>Step 3 / Etape 3:</p> <p>C</p> 
--	---	---