



ASSEMBLY INSTRUCTIONS

ITEM NO:

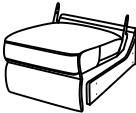



8368BRW/NVY-RRPW: POWER RIGHT SIDE RECLINING CHAIR
8368BRW/NVY-B: 2 BACKRESTS OF LEFT SIDE AND RIGHT
SIDE POWER RECLINING CHAIRS




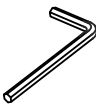
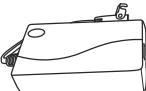
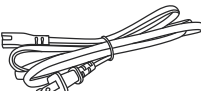
WARNING:

- Keep hands, feet, and children away from moving parts.
- Ensure the area behind and under the chair is clear before operating.
- Do not allow children to operate the recliner.

NOTE: Do not use power tools for assembly. Power tools increase the risk of over tightening which lead to splitting or cracking the wood.

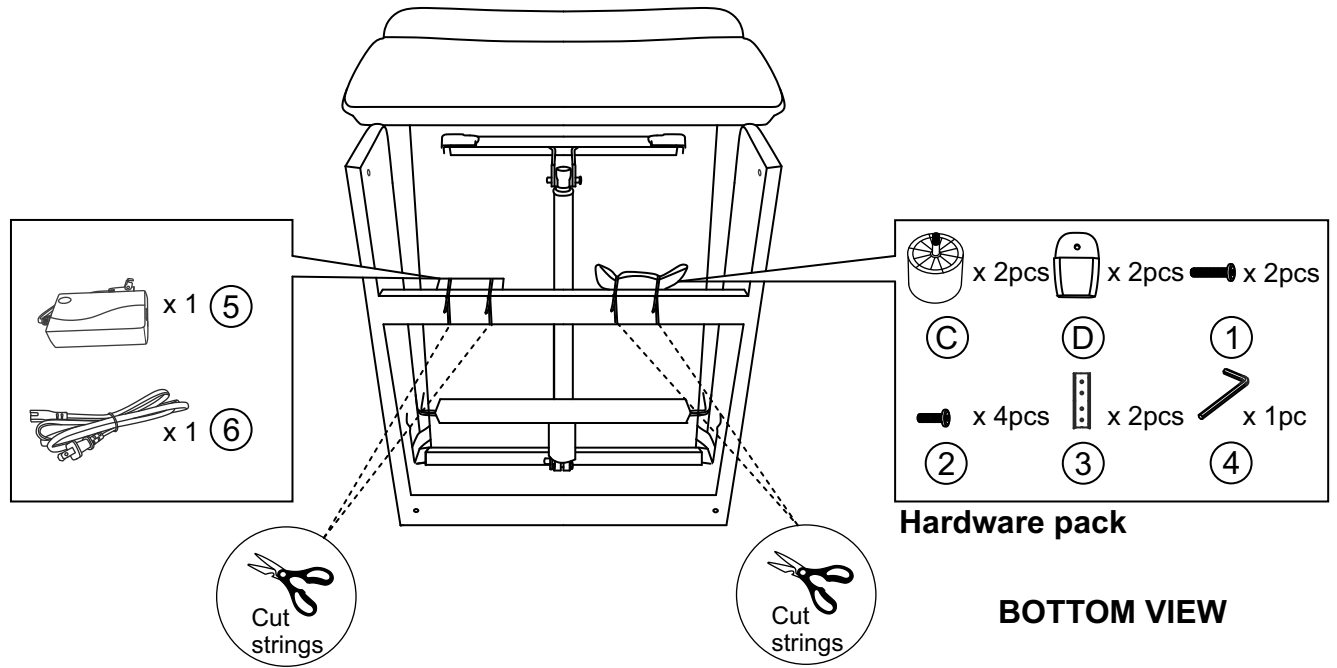
COMPONENT LIST

NO.	DRAWING	Q.TY	DESCRIPTION
A		1PC	SEAT BASE
B		1PC	BACK REST ITEM NO: 8368BRW-B, 8368NVY-B (in the other carton)
C		2PCS	PLASTIC LEG (Ø60*80mm)
D		2PCS	PLASTIC LEG (30*60*90mm)

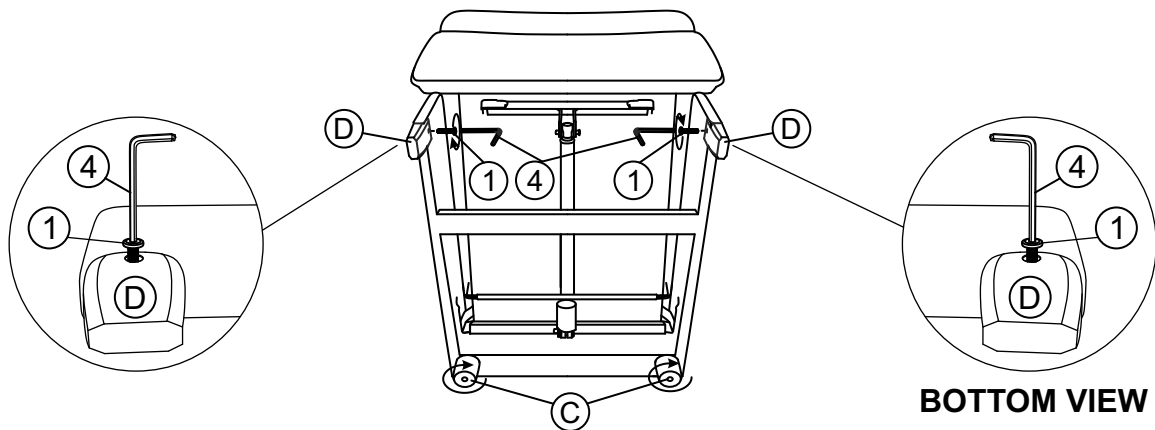
NO.	DRAWING	Q.TY	DESCRIPTION
1		2PCS	BOLT (1/4*25)
2		4PCS	BOLT (1/4*20)
3		2PCS	METAL PLATE
4		1PC	ALLEN KEY (4/23")
5		1PC	ADAPTER
6		1PC	POWER CORD

Please follow the drawings below to assemble the item.

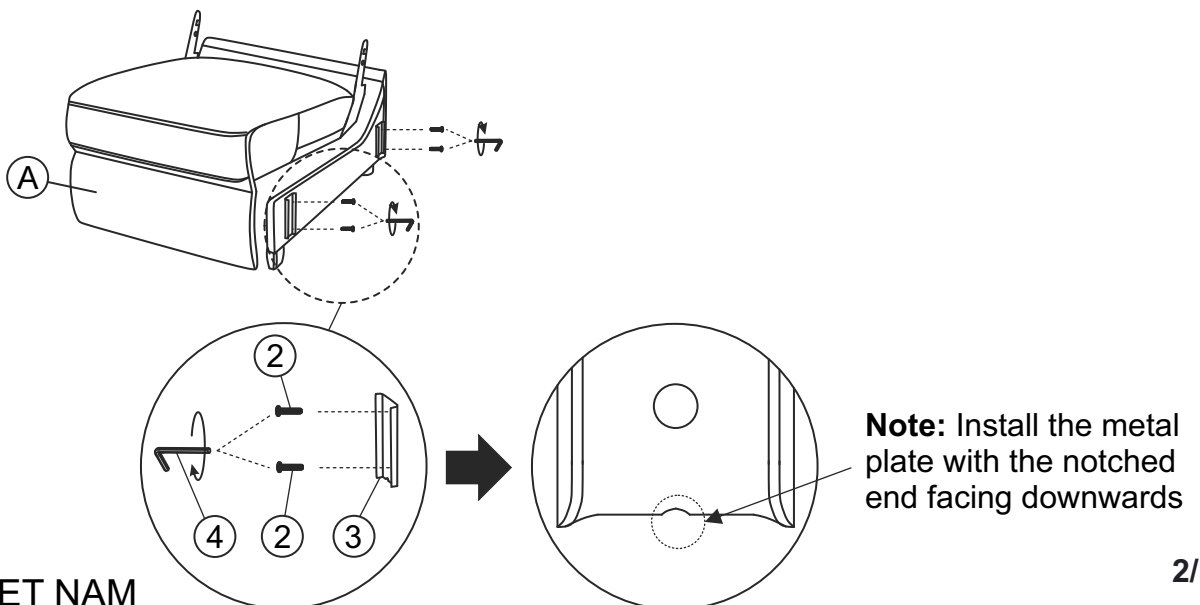
Step 1.



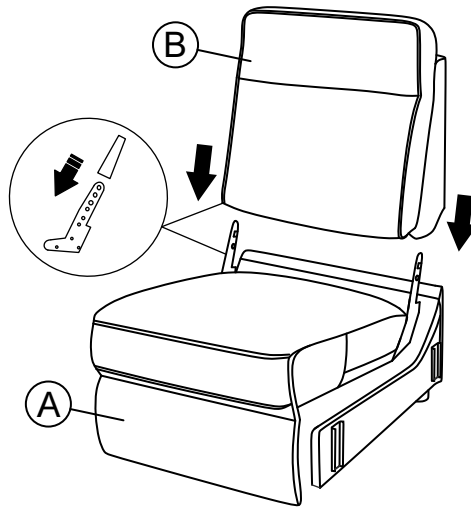
Step 2.



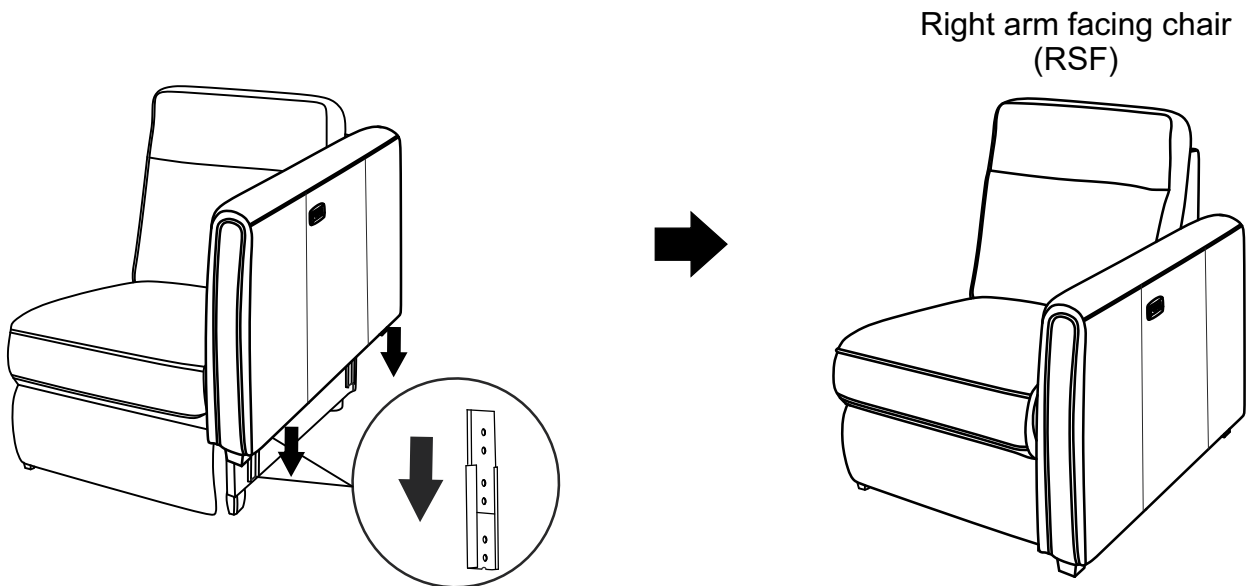
Step 3.



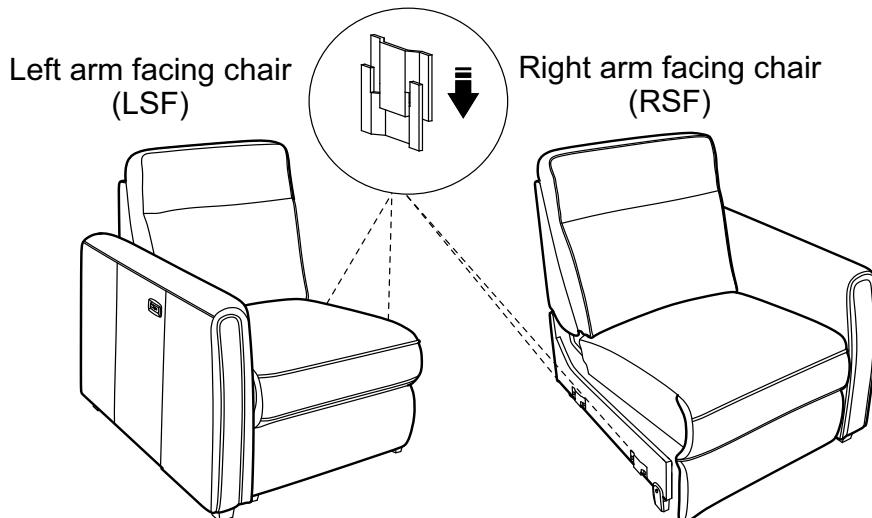
Step 4.



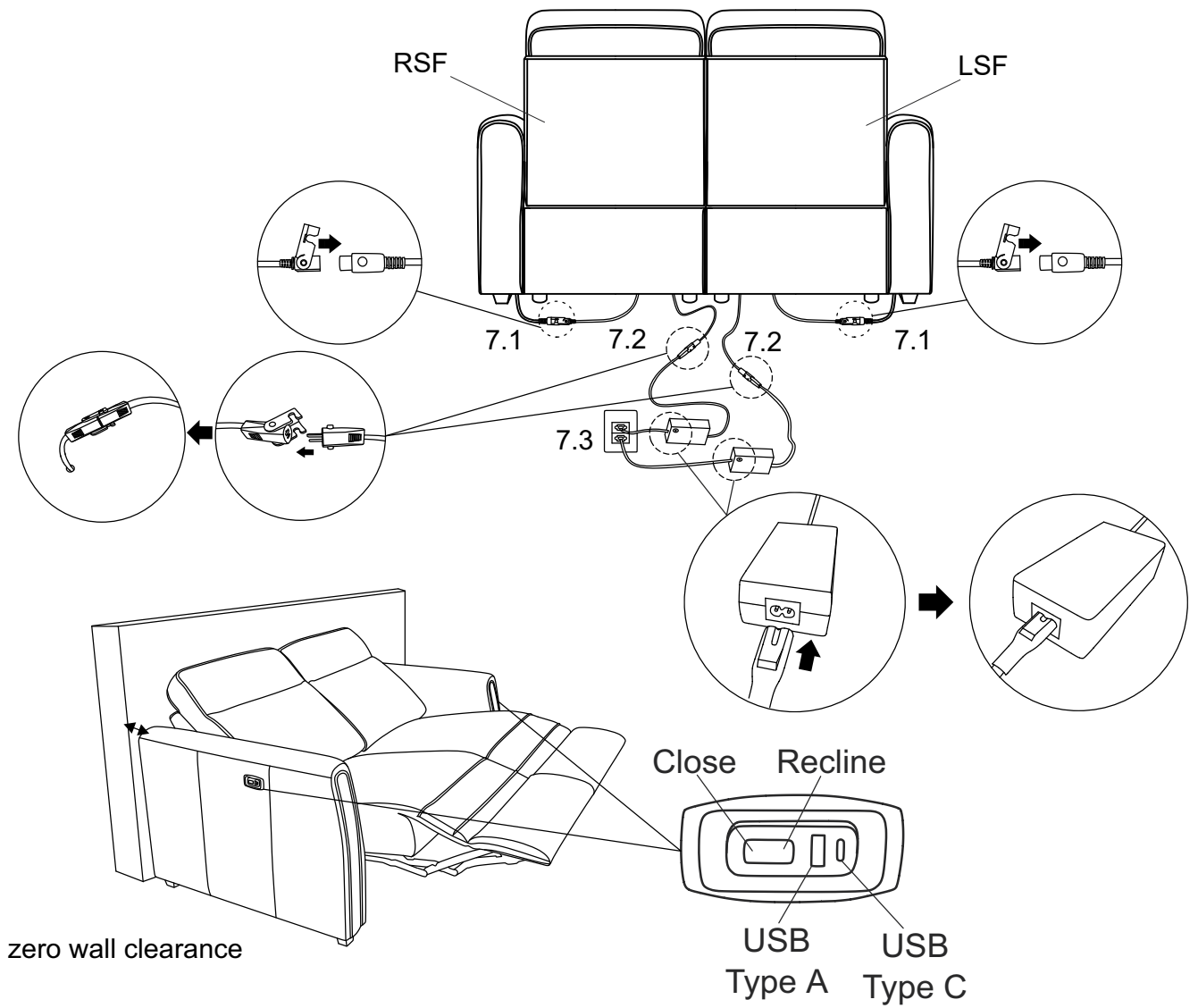
Step 5.



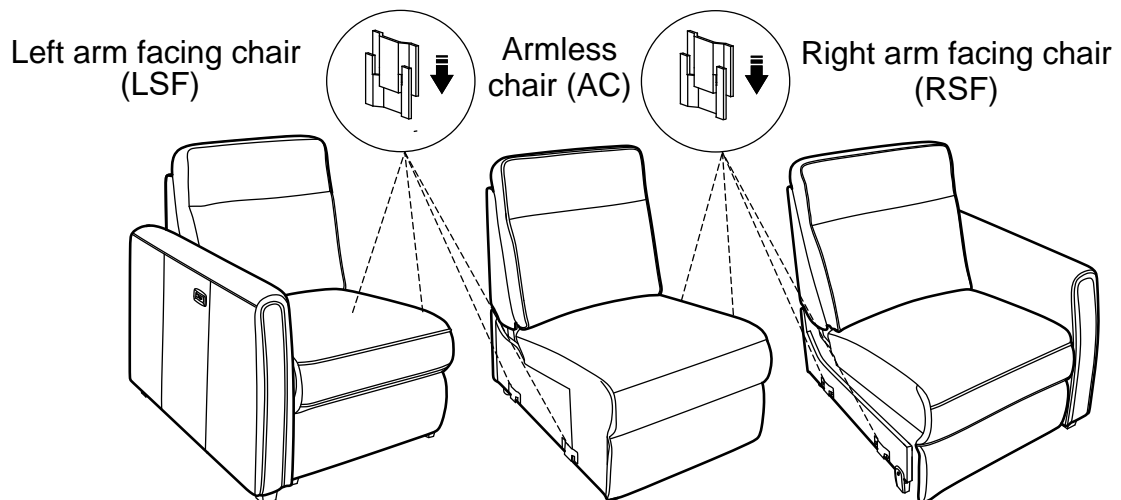
Step 6. Combination 1: Double Power Reclining Loveseat Assembly.



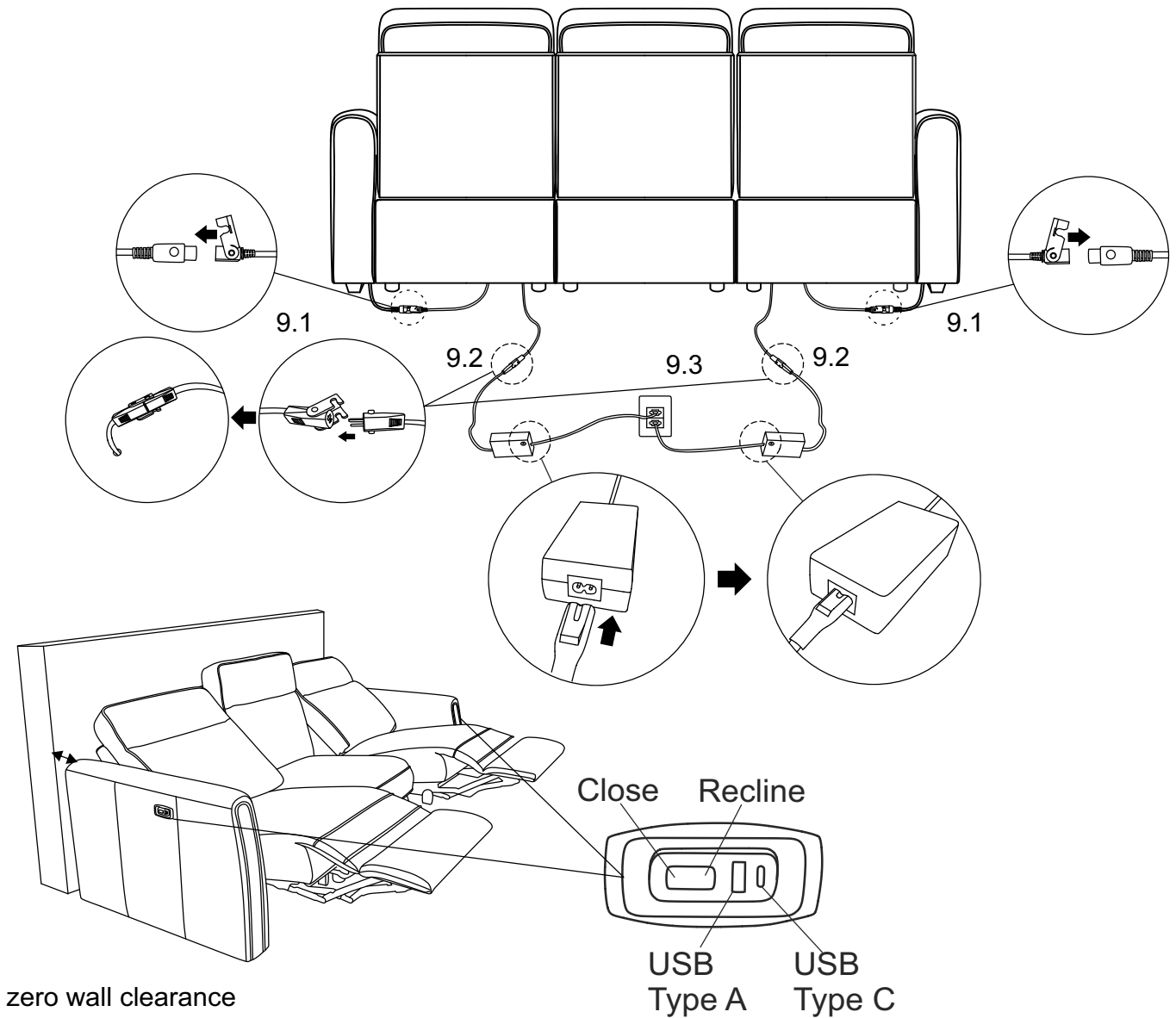
Step 7: Power Connection.



Step 8. Combination 2: Double Power Reclining Sofa Assembly.



Step 9: Power Connection.



CARE INSTRUCTION FOR AIR LEATHER:

In order to maintain the original appearance of your fabric furniture, please follow below simple care procedure:

- Avoid exposing furniture directly to sunlight or heating and air conditioning outlets. Exposure to sunlight or heating and air conditioning outlets will fade/damage fabric.
- Wipe gently with a damp soft cloth to remove dust, dirt and any grime build up.

! It is recommended to install protective pads under all legs and supports to avoid damage or scratches when placing furniture on a wood floor or other hard surface, and to limit indentation and prevent discoloration if placing on carpet.

PLEASE KEEP ASSEMBLY INSTRUCTION FOR FUTURE REFERENCE