



ASSEMBLY INSTRUCTIONS

ITEM NO:

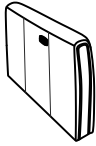
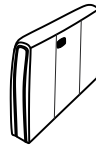
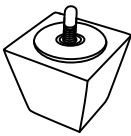
8368BRW/NVY-A1: 2 ARMS OF LEFT SIDE & RIGHT SIDE
POWER RECLINING CHAIR, ROUNDED TRACK ARMS
8368BRW/NVY-A2: 2 ARMS OF LEFT SIDE & RIGHT SIDE
POWER RECLINING CHAIR, CURVED TRACK ARMS

WARNING:

- Keep hands, feet, and children away from moving parts.
- Ensure the area behind and under the chair is clear before operating.
- Do not allow children to operate the recliner.

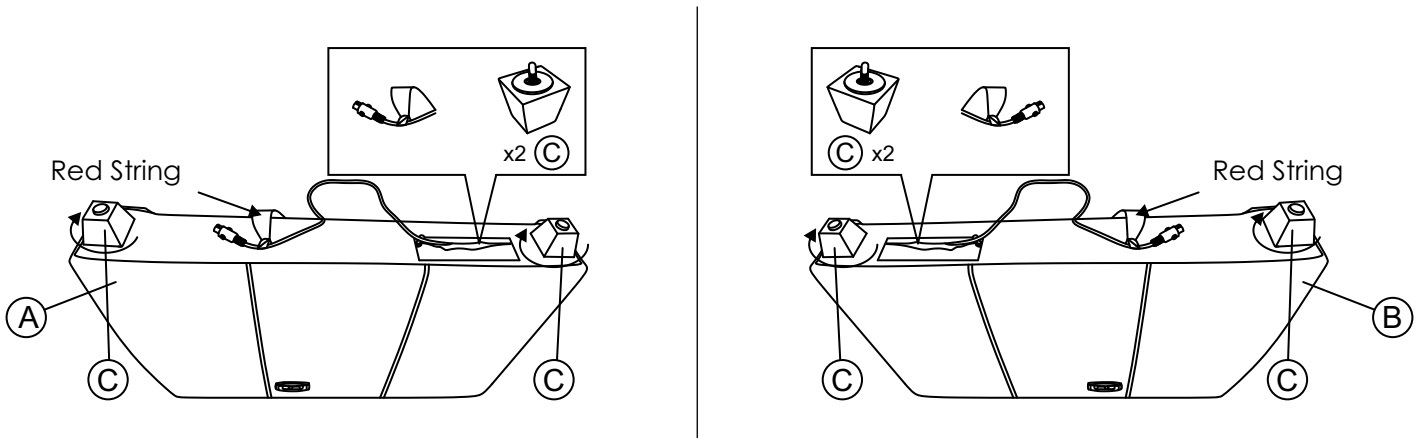
NOTE: Do not use power tools for assembly. Power tools increase the risk of over tightening which lead to splitting or cracking the wood.

COMPONENT LIST

| NO. | DRAWING | Q.TY | DESCRIPTION |
|-----|---|------|----------------------------|
| A |  | 1PC | LEFT SIDE ARM |
| B |  | 1PC | RIGHT SIDE ARM |
| C |  | 4PCS | WOODEN LEG (60*60*72mm) |

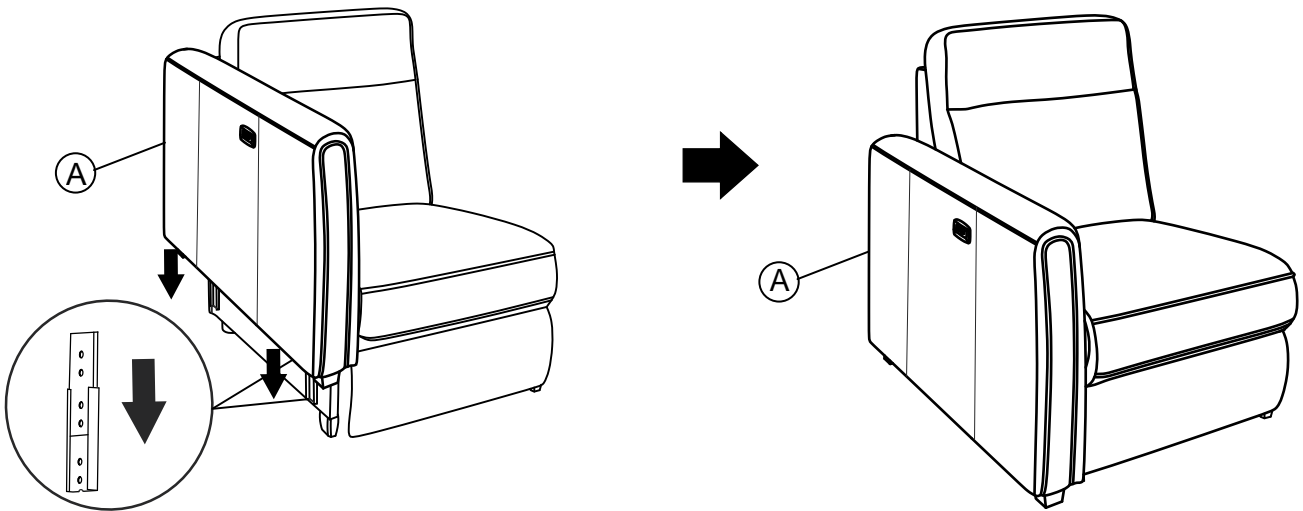
Please follow the drawings below to assemble the item.

Step 1.



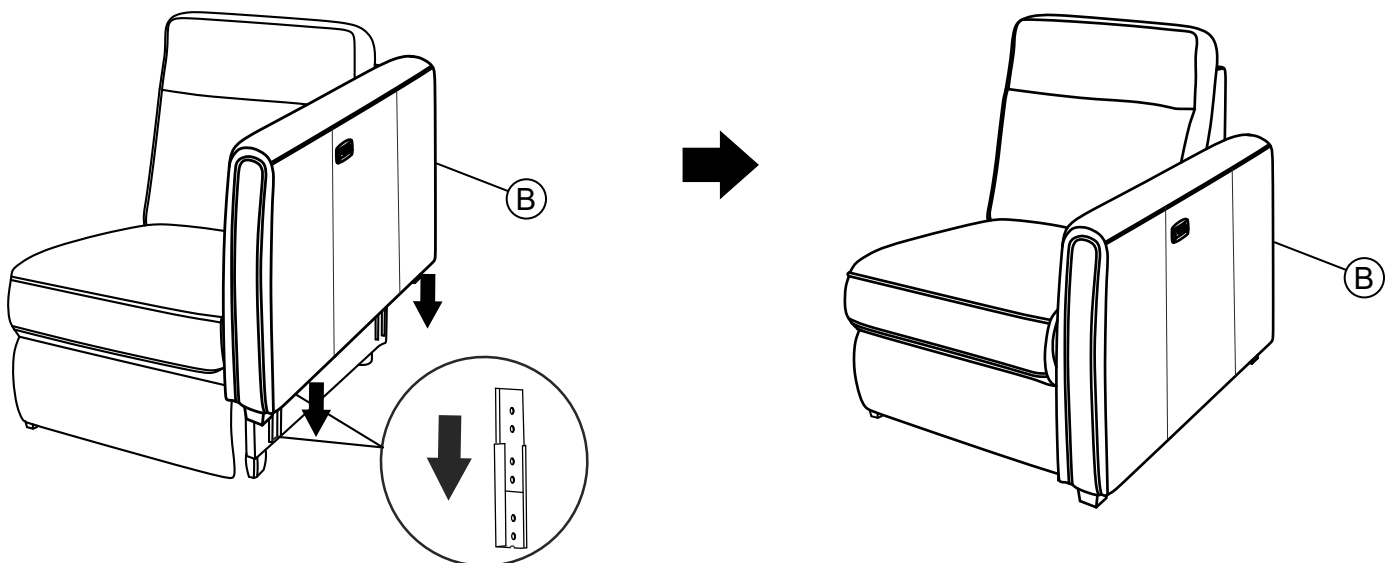
Step 2.

Left arm facing chair
(LSF)



Step 3.

Right arm facing chair
(RSF)



CARE INSTRUCTION FOR AIR LEATHER:

In order to maintain the original appearance of your fabric furniture, please follow below simple care procedure:

- Avoid exposing furniture directly to sunlight or heating and air conditioning outlets. Exposure to sunlight or heating and air conditioning outlets will fade/damage fabric.
- Wipe gently with a damp soft cloth to remove dust, dirt and any grime build up.

⚠ It is recommended to install protective pads under all legs and supports to avoid damage or scratches when placing furniture on a wood floor or other hard surface, and to limit indentation and prevent discoloration if placing on carpet.

PLEASE KEEP ASSEMBLY INSTRUCTION FOR FUTURE REFERENCE