



# ASSEMBLY INSTRUCTION

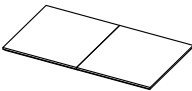
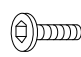
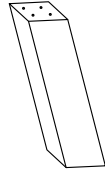

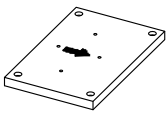
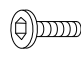
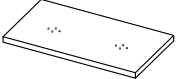
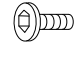


ITEM #: 5503 / 5503BK

DINING TABLE

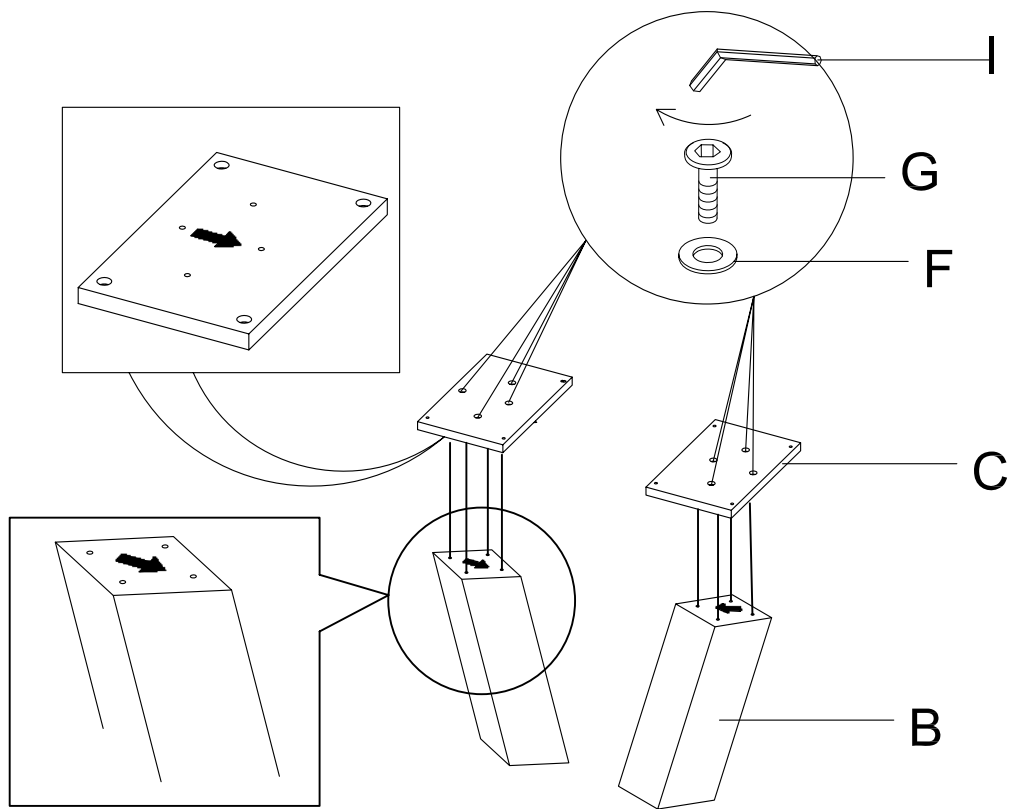
5503T / 5503BKT TABLE TOP

5503B / 5503BKB TABLE BASE /

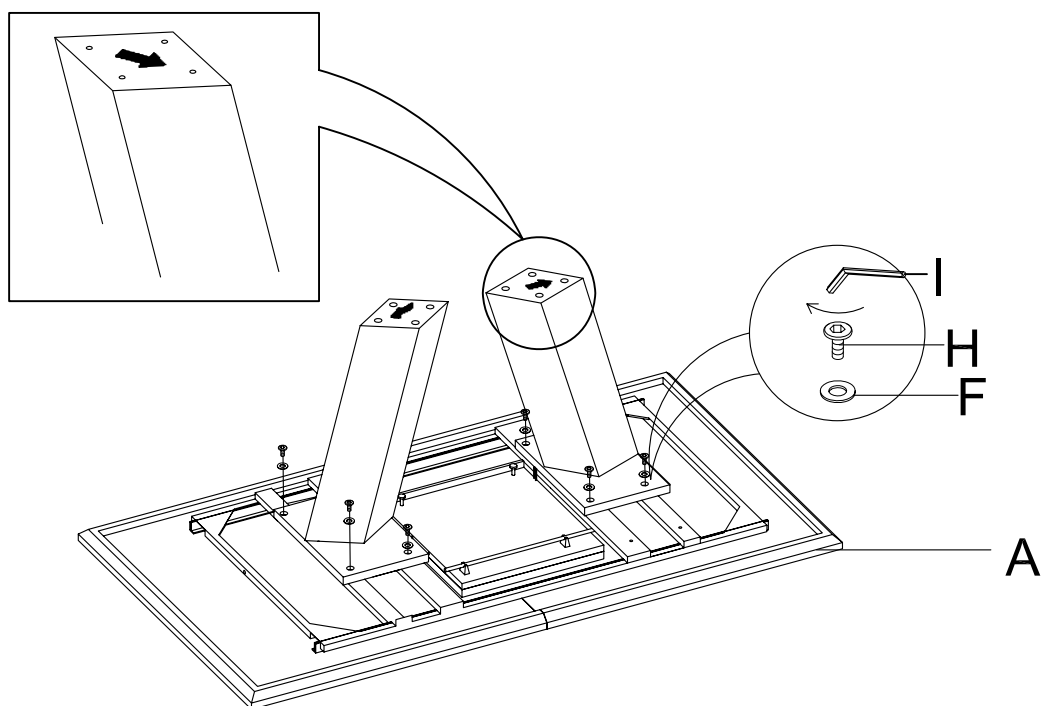
5503M / 5503BKM METAL BASE

NO.	PART LIST		QTY	NO.	HARDWARE LIST HARDWARE PACK IN 5503B		QTY
A	 IN 5503T/5503BKT	TABLE TOP	1	E	 IN 5503B/5503BKB	ALLEN BOLT M8 * 45 mm	8
B	 IN 5503B/5503BKB	LEG	2	F	 IN 5503B/5503BKB	FLAT WASHER Ø8 * Ø20mm	24
C	 IN 5503M/5503BKM	MOUNTING PLATE	2	G	 IN 5503B/5503BKB	ALLEN BOLT M8 * 35 mm	8
D	 IN 5503M/5503BKM	TABLE BASE	1	H	 IN 5503B/5503BKB	ALLEN BOLT M8 * 30 mm	8
				I	 IN 5503B/5503BKB	ALLEN KEY 6mm	1
				J	 IN 5503B/5503BKB	ADJUSTABLE FOOTER M6x20mm	6

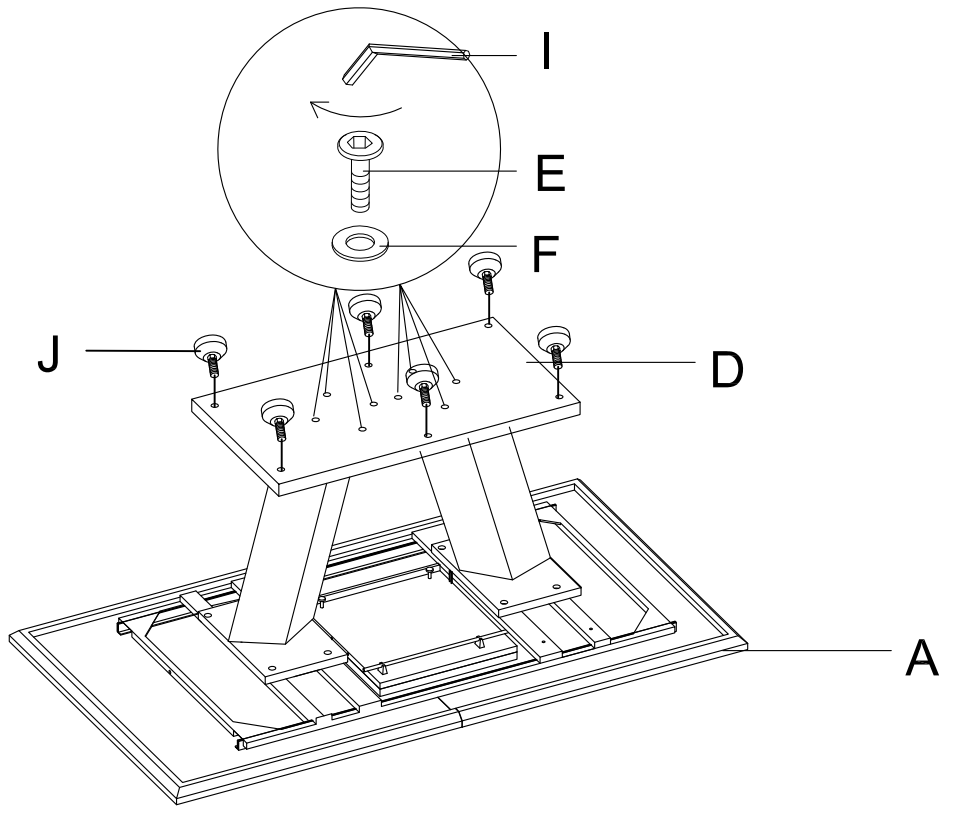
1



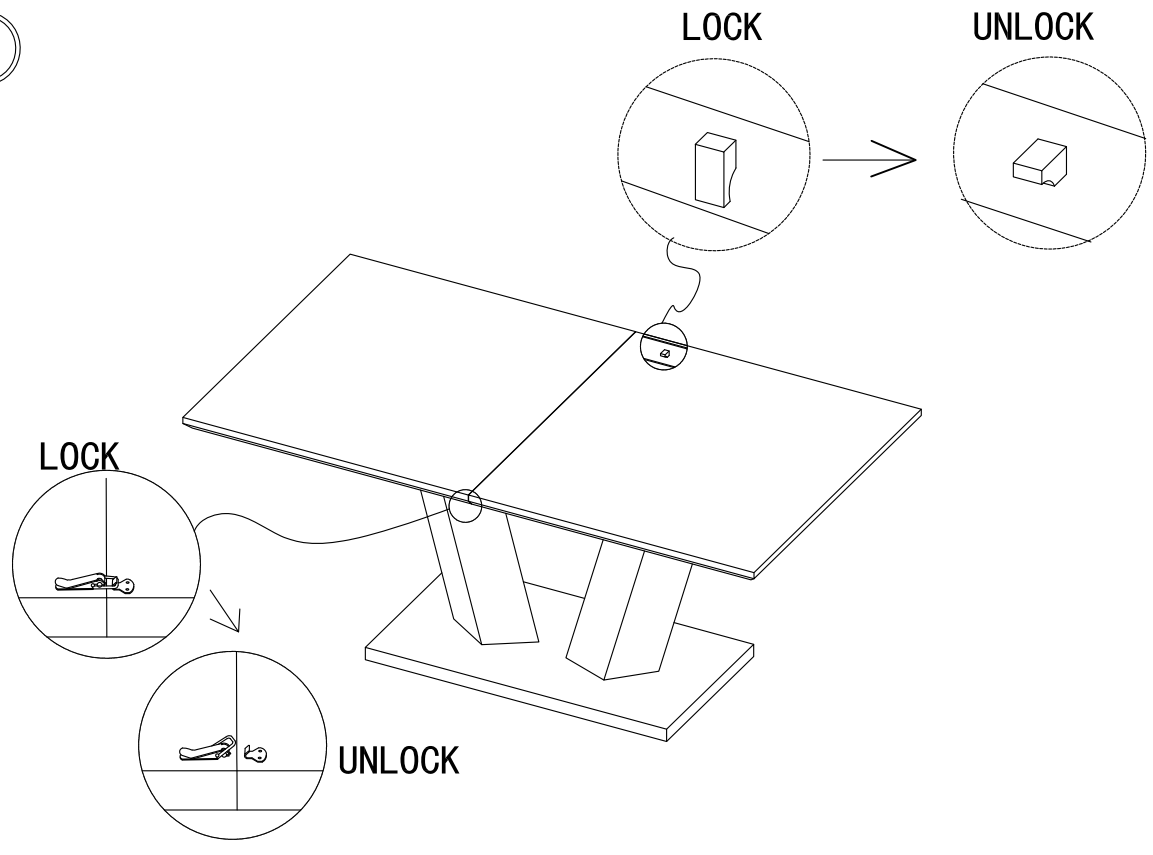
2



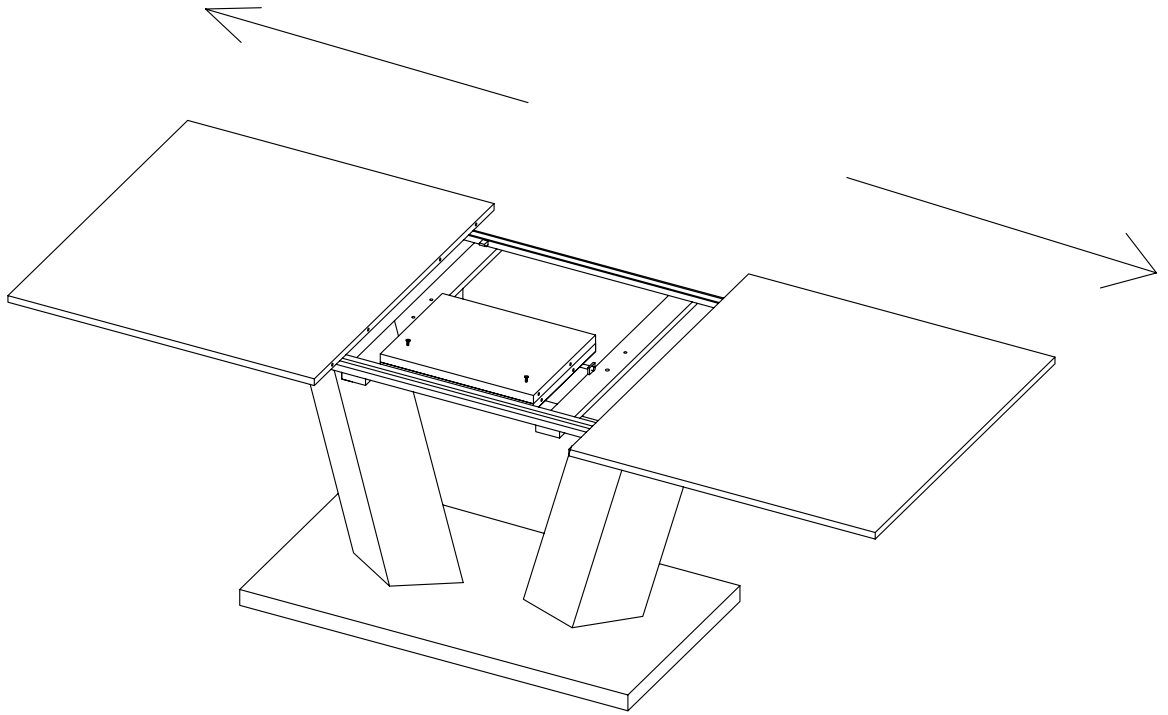
3



4



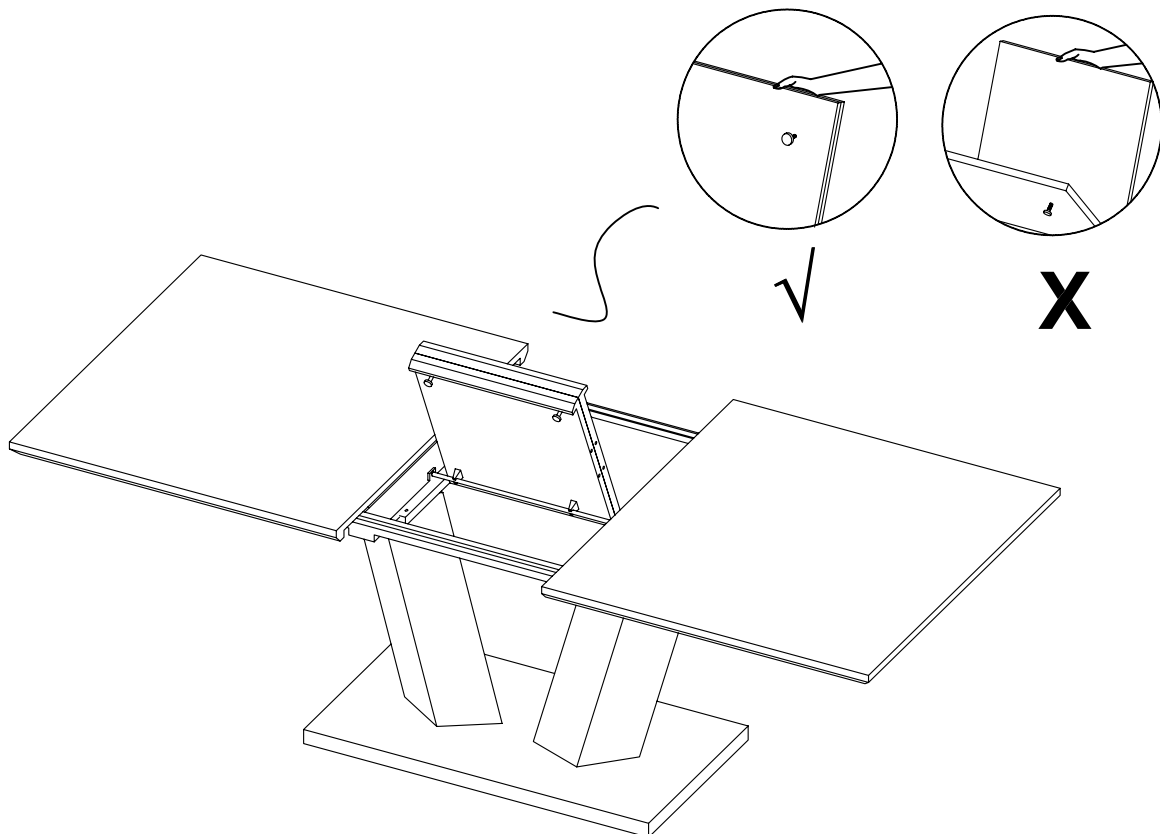
5



6

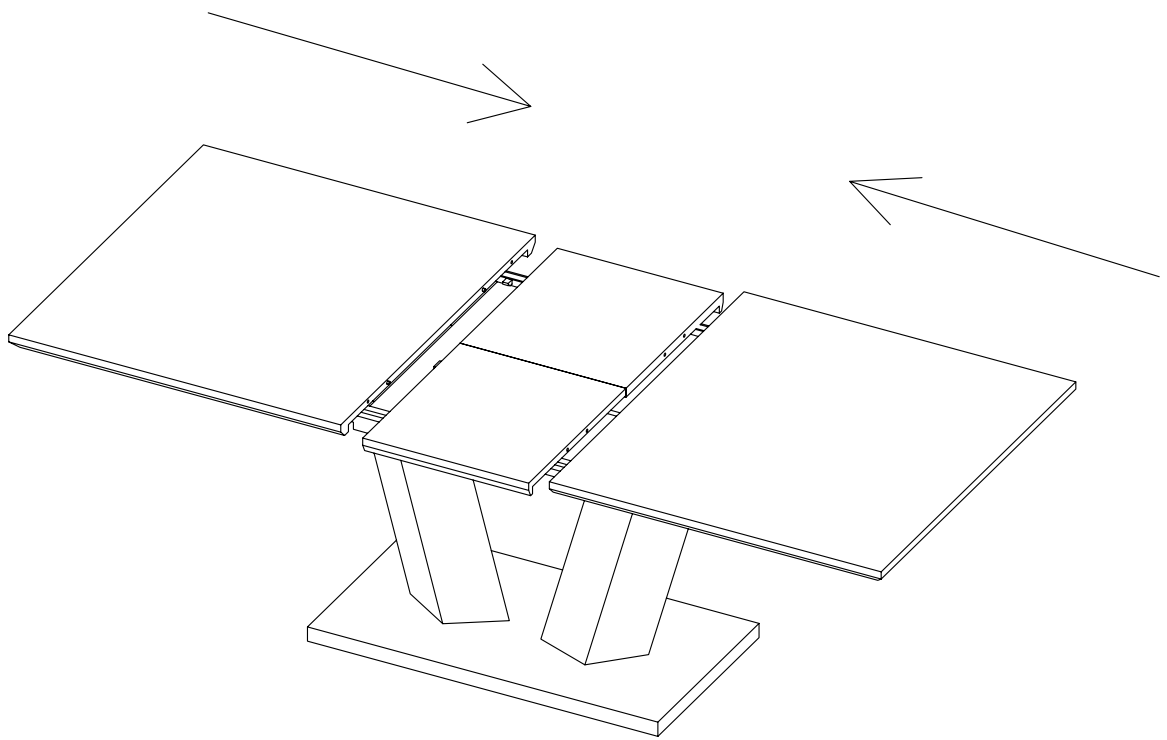
Pull and take out the whole table leaf in one way

Two person required while opening and closing the center table leaf

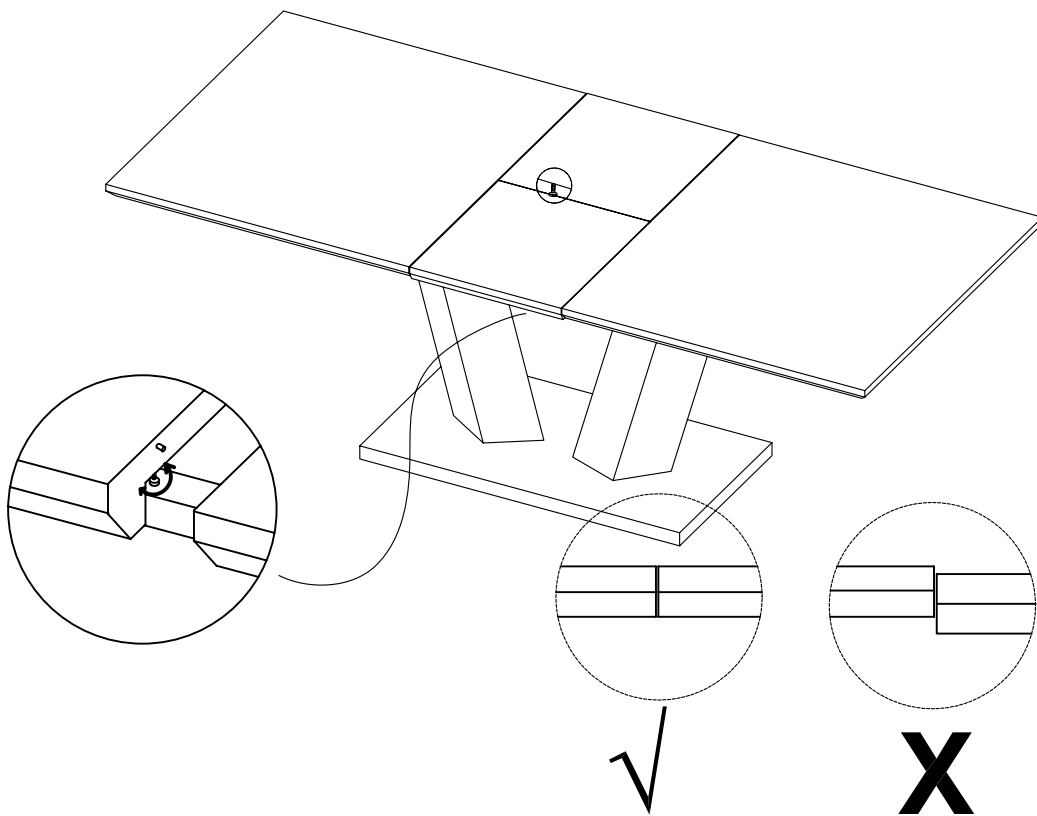


7

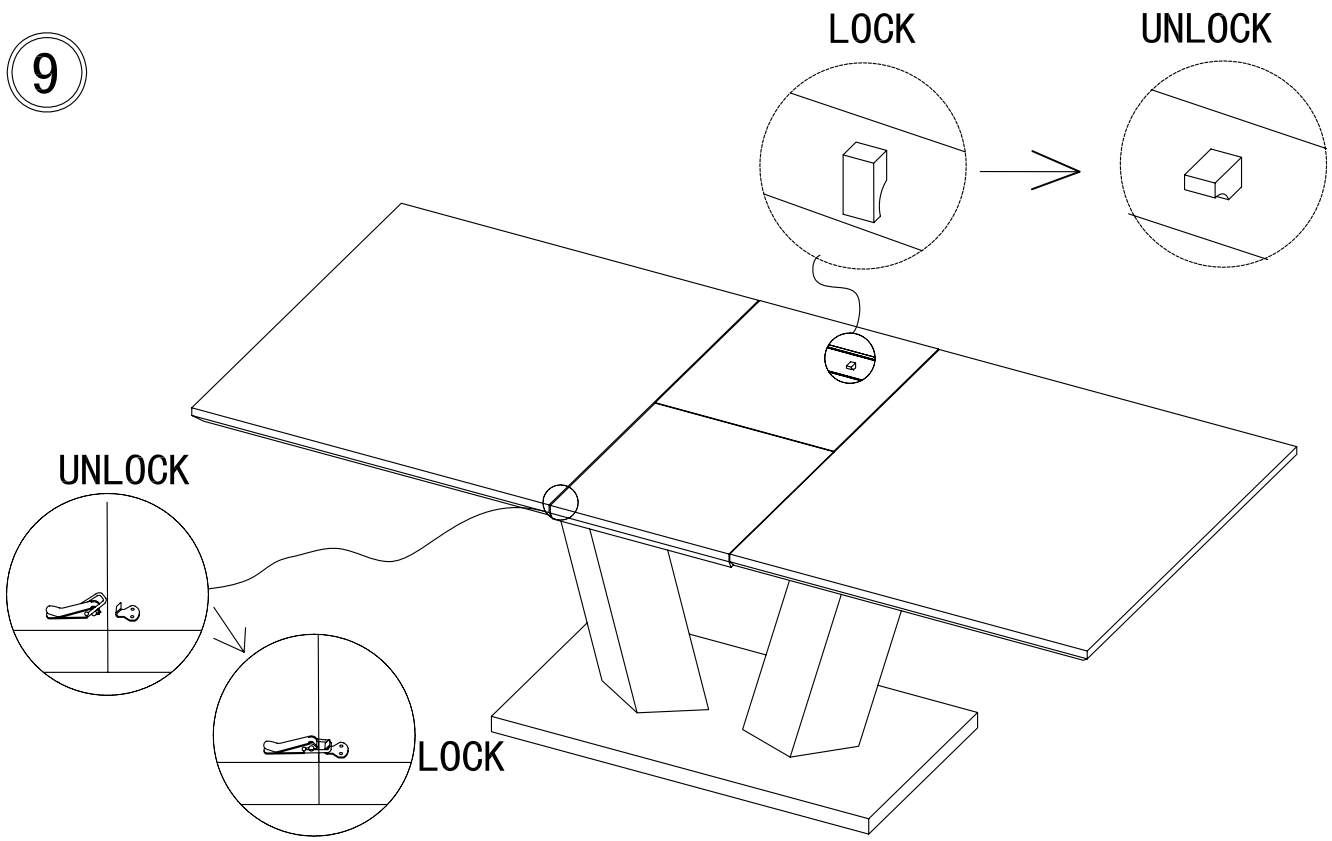
Slowly close left and right table ends to fit to the table leaf properly.



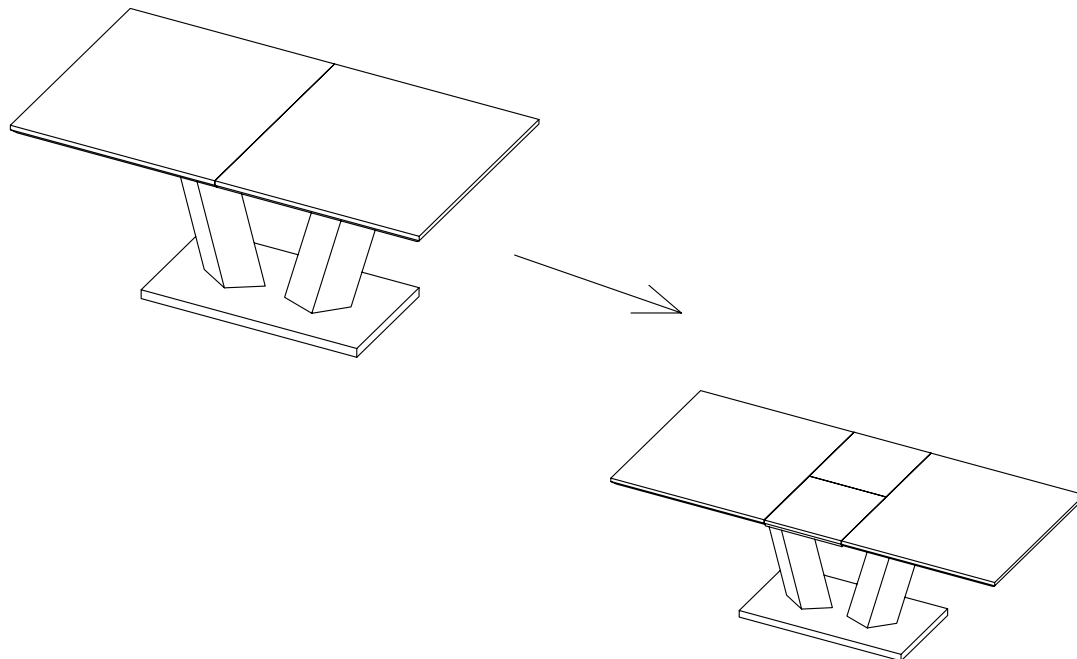
8



9



10



For items use on wooden floor, hard surfaces or carpets, it is recommended to install protective pads under all legs and supports to avoid/prevent from damages/scratches and discoloration.  
Do not tighten bolts until completely assembled.