



# Assembly Instruction

ITEM#: 1718BR-5 DRESSER W/HIDDEN DRAWER  
1718BR-6 MIRROR

## PART LIST

1	DRESSER	1PC
2	BUN FOOT	4PCS
3	MIDDLE SUPPORT LEG	1PC
4	MIRROR	1PC
5	MIRROR SUPPORT	2PCS

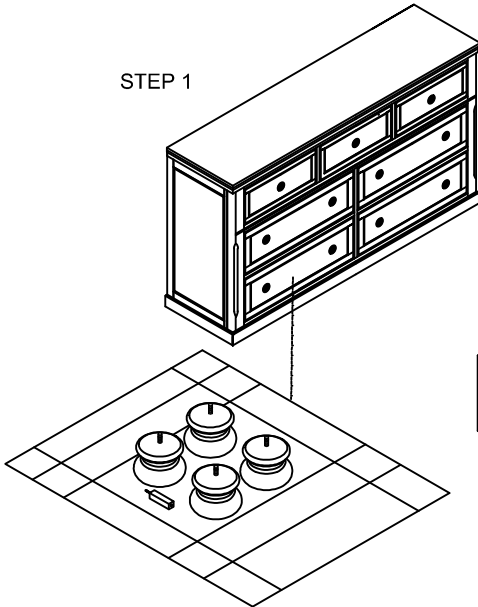
## ANTI-TIPPING HARDWARE PACK

A		BRACKET	2PCS
B		TIE WRAP	1PC
C		LONG SCREW #8x2"L	1PC
D		SHORT SCREW #8x5/8"L	1PC

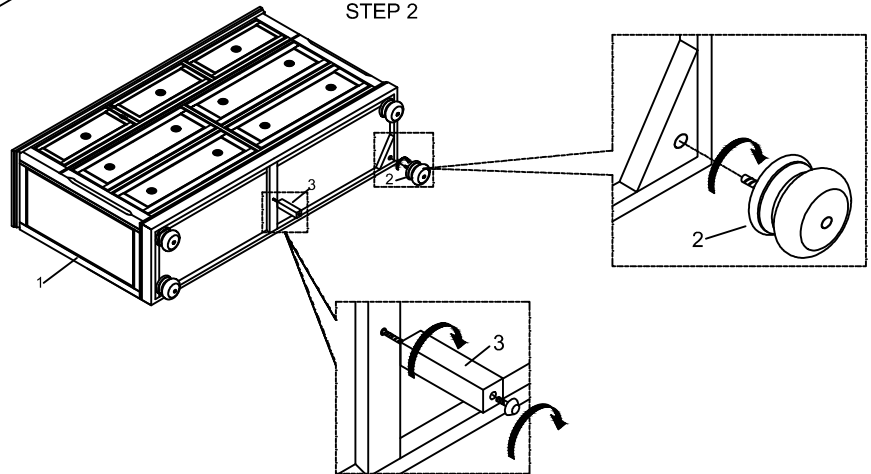
## HARDWARE LIST IN -6

E		BOLT Ø1/4"x1 1/4"L	8PCS
F		SPRING WASHER Ø1/2"xØ1/4"	8PCS
G		FLAT WASHER Ø3/4"xØ1/4"	8PCS
H		ALLEN KEY 1/4"	1PC

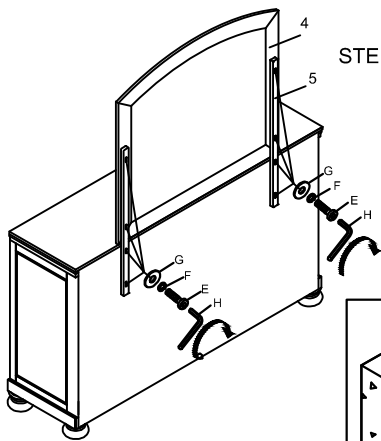
STEP 1



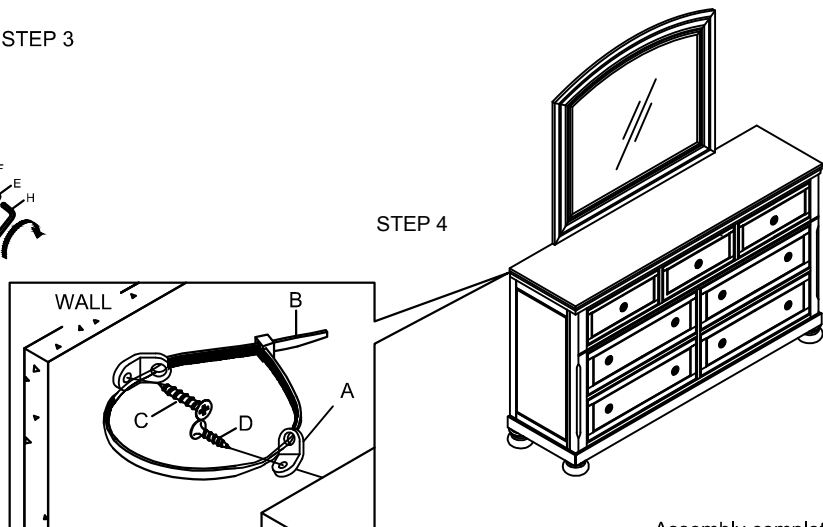
STEP 2



STEP 3



STEP 4



Assembly completed



- For items use on wooden floor hard surfaces or carpets. It is recommended to install protective pads under all legs and supports to avoid/prevent from damages/scratches and discoloration.
- Hardware may loosen over time. Periodically check to make sure all connections are tight. Re-tight if necessary.

May. 2026

MADE IN VIETNAM