

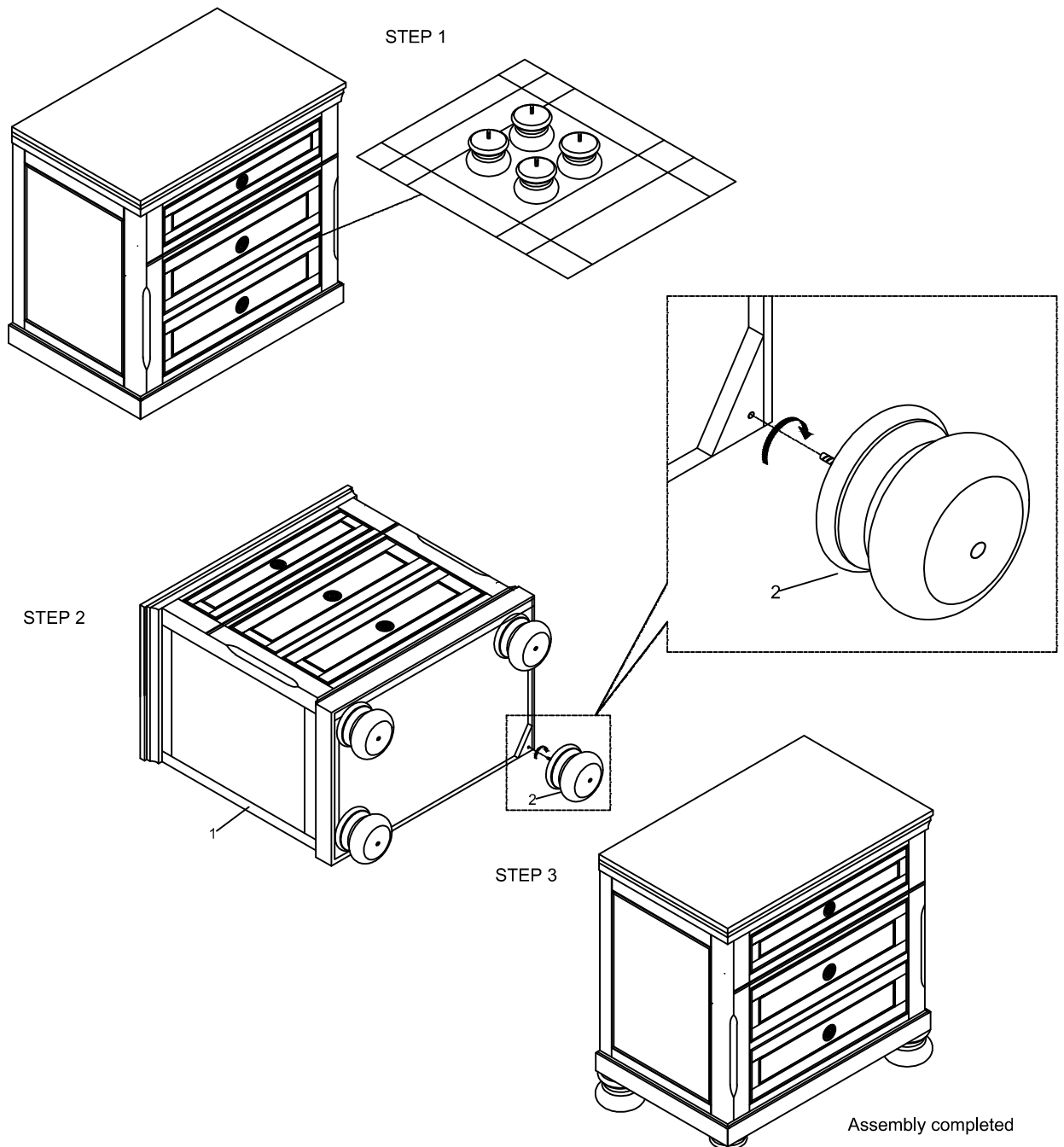


# Assembly Instruction

ITEM#: 1718BR-4 NIGHT STAND W/HIDDEN DRAWER

## PART LIST

1	NIGHT STAND	1PC
2	BUN FOOT	4PCS



- For items use on wooden floor hard surfaces or carpets. It is recommended to install protective pads under all legs and supports to avoid/prevent from damages/scratches and discoloration .
- Hardware may loosen over time. Periodically check to make sure all connections are tight. Re-tight if necessary.

May. 2026

MADE IN VIETNAM