



Assembly Instruction

ITEM#: 1681-5 DRESSER
ITEM#: 1681-6 MIRROR

PART LIST

1	DRESSER	1PC
2	MIRROR	1PC
3	MIRROR SUPPORT	2PCS

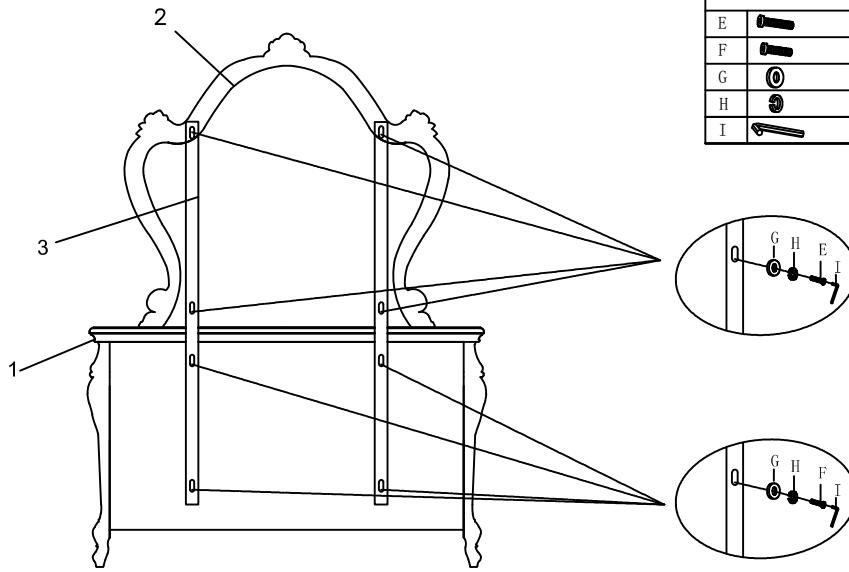
ANTI-TIPPING HARDWARE PACK IN-5

A		BRACKET	2PCS
B		TIE WRAP	1PC
C		SCREW #8x2"L	1PC
D		SCREW #8x5/8"L	1PC

HARDWARE LIST IN-5

E		BOLT $\phi 5/16$ "X1-1/2"	4PCS
F		BOLT $\phi 5/16$ "X1-3/4"	4PCS
G		FLAT WASHER $\phi 5/16$ "	8PCS
H		SPRING WASHER $\phi 5/16$ "	8PCS
I		ALLEN KEY $\phi 5/16$ "	1PC

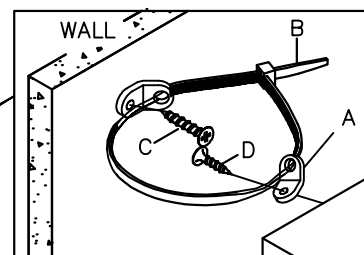
STEP 1



STEP 2



-REMOVE ANTI-TIPPING PACK FROM BACK PANEL.ASSEMBLE IT TO AVOID TIPPING



For items use on wooden floor, hard surfaces or carpets it is recommended to install protective pads under all legs and supports to avoid/prevent from damages/scratches and discoloration

MADE IN VIETNAM