



Assembly Instruction

SOFA W/2 PILLOWS

ITEM NO.: 8225NGY-3

NOTE: Do not use power tools for assembly. Power tools increase the risk of over tightening which leads to splitting or cracking the wood.

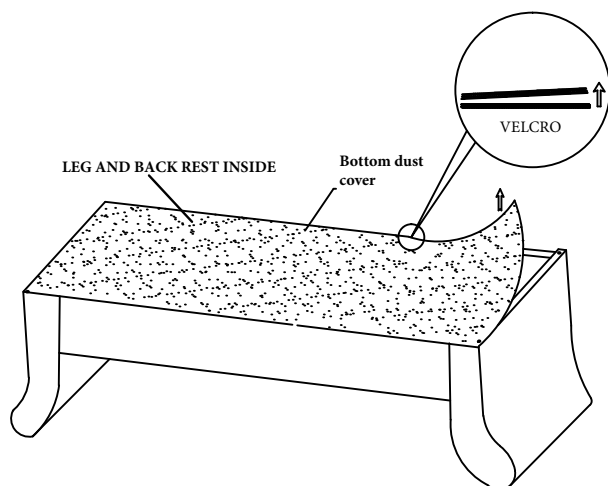
COMPONENT LIST

NO.	DESCRIPTION	SKETCH	QTY
A	SOFA SEAT		1PC
B	BACK REST		1PC
C	SEAT CUSHION		3PCS

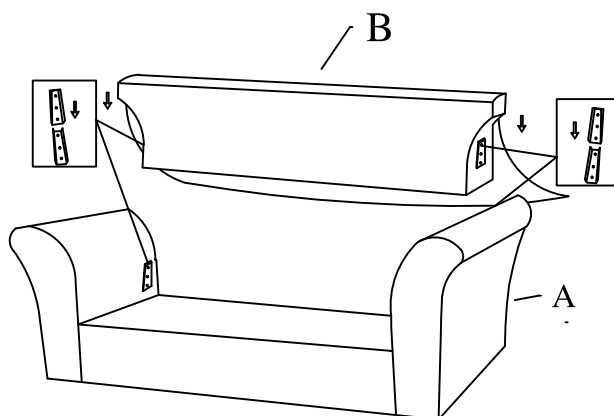
D	BACK CUSHION		2PCS
E	MIDDLE BACK CUSHION		1PC
F	PILLOW		2PCS
G	LEG		4PCS
H	GASKET		4PCS

STEP 1

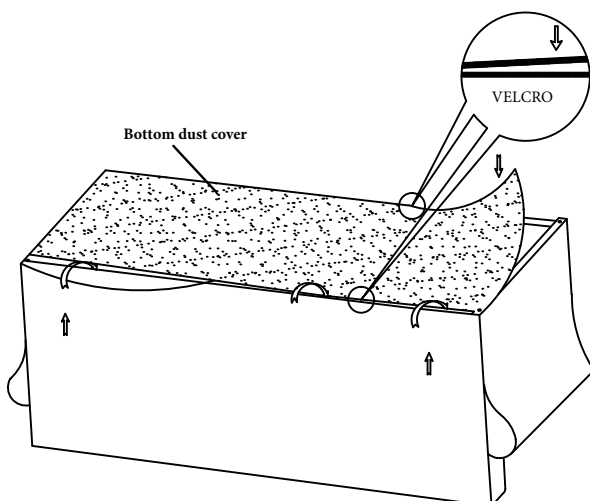
Remove the dust cover, take out the leg and back rest stored at the bottom of the seat for assembly.



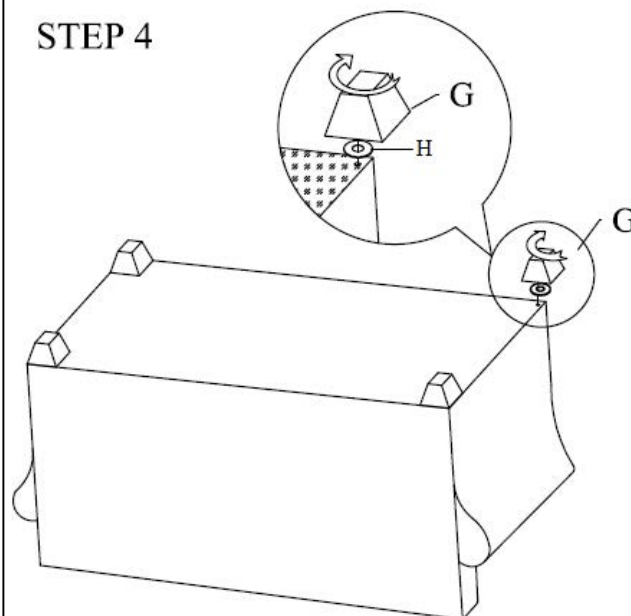
STEP 2



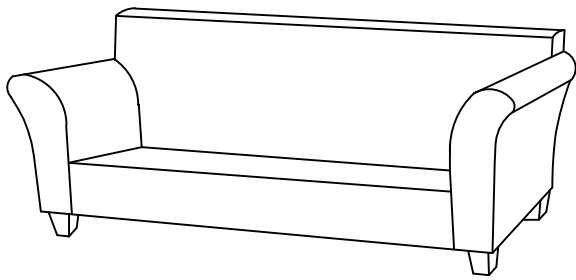
STEP 3



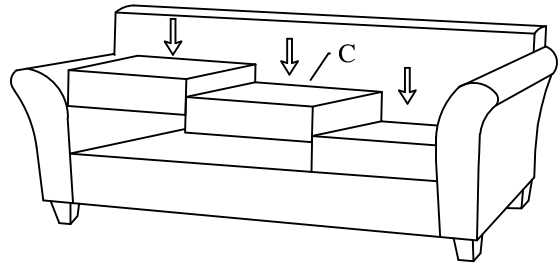
STEP 4



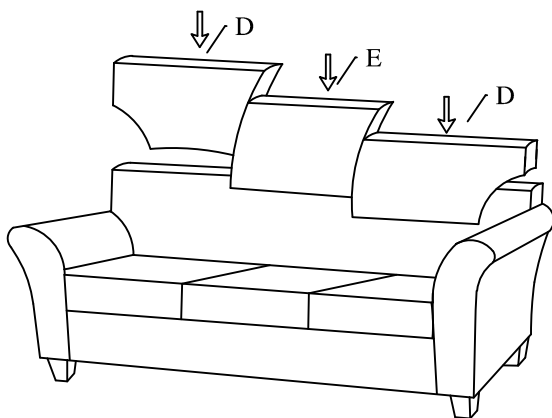
STEP 5



STEP 6

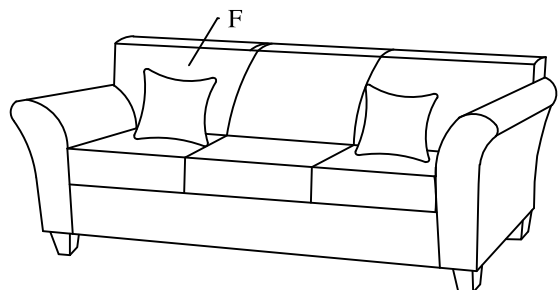


STEP 7



STEP 8

COMPLETED !



CARE INSTRUCTION FOR FABRIC:

In order to maintain the original appearance of your fabric furniture, please follow below simple care procedure:

- **Avoid exposing furniture directly to sunlight or heating and air conditioning outlets. Exposure to sunlight or heating and air conditioning outlets will fade/damage fabric.**
- **Wipe gently with a damp soft cloth to remove dust, dirt and any grime build up.**
- **Wipe fabric with professional cleanser.**



It is recommended to install protective pads under all legs and supports to avoid damage or scratches when placing furniture on a wood floor or other hard surface, and to limit indentation and prevent discoloration if placing on carpet.



Il est recommandé de placer des coussins protecteurs sous tous les pieds et toutes les bases des meubles pour éviter d'endommager ou d'égratigner les planchers en bois ou autres surfaces dures, et pour limiter l'empreinte et empêcher la décoloration quand les meubles reposent sur la moquette.