

# ASSEMBLY INSTRUCTION INSTRUCTION D' ASSEMBLAGE 5704-72 DINING TABLE

Thank you for purchasing this product. Please take time to read and follow the instruction below. Check that you have all parts and hardware before assembly.

Merci d'avoir achete de qualite. Veuillez lire et suivre les instructions ci-dessous. Verifiez avant le montage que vous avez toutes les pieces et fixations.

**CAUTION :** 1. DO NOT FULLY TIGHTEN THE NUTS OR BOLTS INITIALLY UNTIL ALL THE NUTS AND BOLTS ARE IN PLACE.  
(TO AVOID CAUSING DAMAGES TO THE THREAD, DO NOT OVER TIGHTEN THE NUTS OR BOLTS.)  
2. KEEP ALL HARDWARE PARTS OUT OF REACH OF CHILDREN.




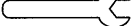
\* It is recommended to install protective pads under all legs and supports to avoid damages or scratches when placing furniture on a wood floor or other hand surface and to limit indentation and prevent discoloration if placing on carpet.

\* Il est recommande de placer des coussins protecteurs sous tous les pieds et toutes les bases des meubles pour eviter d' endommager ou d'egratigner les planchers en bois ou autres surfaces dures, et pour limiter l'empreinte et empecher la decoloration quand les meubles reposent sur la moquette.

### PARTS LIST

NO.	COMPONENT	QTY.
1	TABLE TOP	1
2	TABLE LEG	4

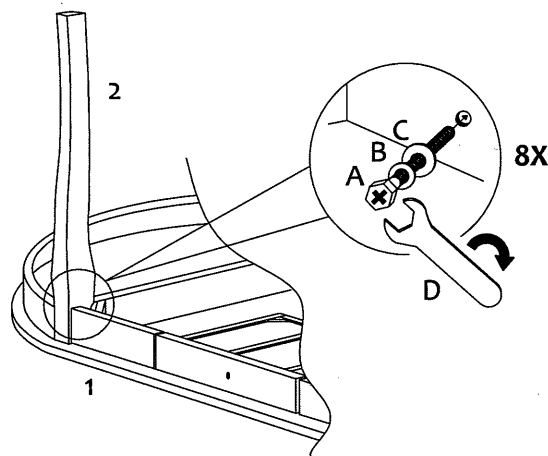
### HARDWARE LIST

NO.	COMPONENT	QTY.
A	HEX BOLT (Ø5/16" X 2.5") 	8
B	SPRING WASHER (Ø 5/16") 	8
C	FLAT WASHER (Ø 5/16") 	8
D	WRENCH 	1



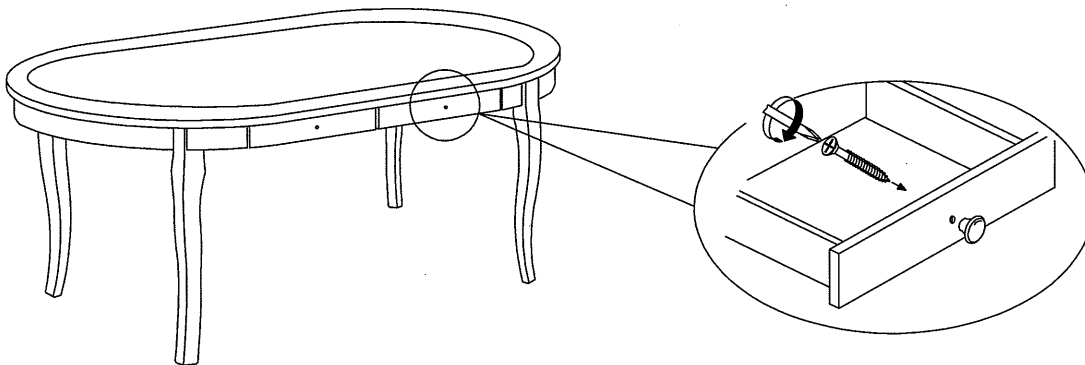
## STEP 1

Turn the Table Top with Apron (1) upside down and place it on a piece of cloth on the floor to prevent finish from scratching. Attached Table Leg (2) to the corner block of the apron with Flat Washer (C), Spring Washer (B) and Hex Comb (A). Tighten the Hex Bolt (A) with Wrench (D). Repeat the same process with the other 3 legs.



## STEP 2

Re-assemble the drawer knob from inside to outside.



Clean off dust with a soft cloth. Occasionally polish the wood parts by using a good furniture polish (follow the instructions on the container). Do not use commercial waxes or cleaner. Do not leave liquids on the seat. Avoid exposing the chair to direct sunlight. If there is any wobbling movement, re-tighten the bolts & screw. After a few days of initial assembly and chairs have acclimated to new environment, retighten all hardwares.