
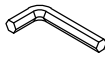

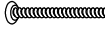





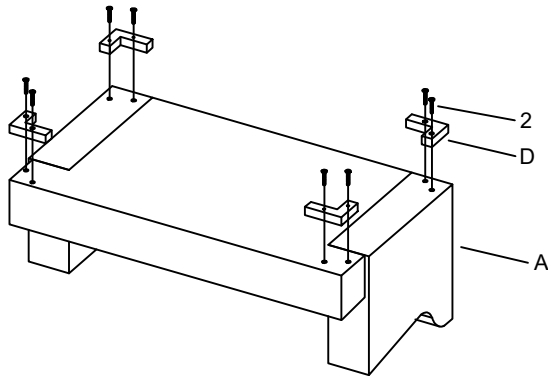


# Assembly Instruction

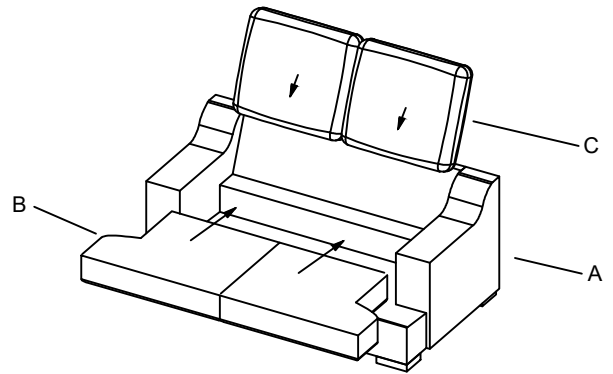
SOFA  
ITEM#: 9404DG/GY-3 SOFA

PART LIST				HARDWARE LIST				
A	LOVESEAT/SOFA FRAME		1 PC	1	ALLEN KEY		5 x 75 mm	1 PC
B	SEAT CUSHION		2 PC	2	BOLT		5/16 x 4"	8 PCS
C	BACK CUSHION		2 PC					
D	WOODEN LEG		4 PCS					
F	PILLOW		4 PCS					

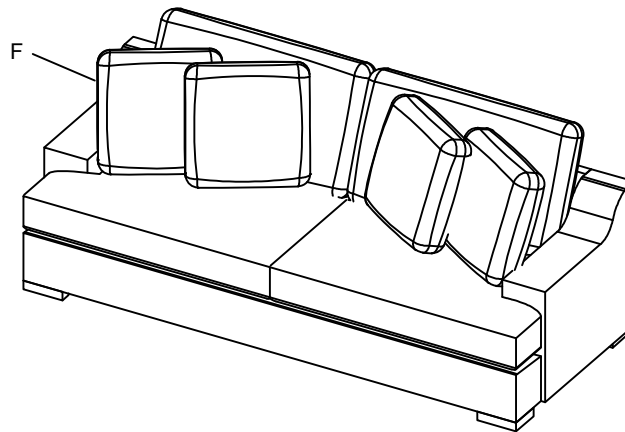
STEP 1



STEP 2



STEP 3



**Care instruction for airehyde Furniture:**

In order to maintain the original appearance of your airehyde furniture, please follow below simple care proceures:

- Avoid exposing furniture directly to sunlight or heating and air conditioning outlets. Sunlight and or exposure to heating and air conditioning outlets will fade/damage airehyde.
- Vacuum or wipe with a soft cloth to remove dust.

For items use on wooden floor, hard surfaces or carpets, it is recommended to Install protective pads under all legs and supports to avoid/prevent from damages/scratches and discoloration.