



ASSEMBLY INSTRUCTION

1723-5 DRESSER
1723-6 MIRROR

ANTI-TIPPING HARDWARE PACK

A		BRACKET	2PCS
B		TIE WRAP	1PC
C		SCREW #6x2"L	1PC
D		SCREW #6x3/4"L	1PC

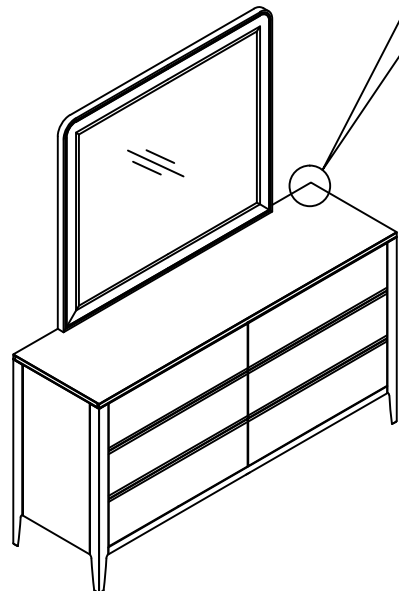
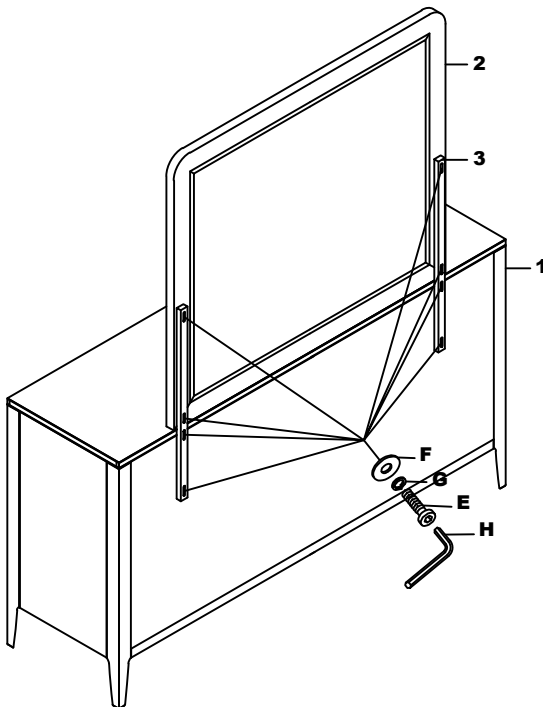
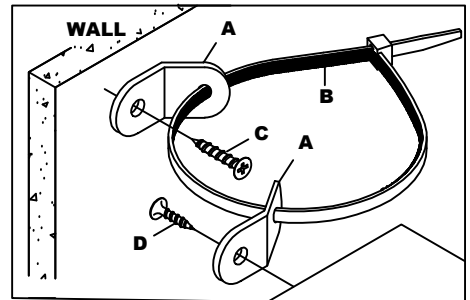
HARDWARE LIST IN -6

E		BOLT $\Phi 5/16$ "x1-3/4"L	8PCS
F		FLAT WASHER $\Phi 5/16$ "X19MM	8PCS
G		SPRING WASHER $\Phi 5/16$ "	8PCS
H		ALLEN KEY 5/16"	1PC

PART LIST

1	DRESSER	1PC
2	MIRROR	1PC
3	MIRROR SUPPORT	2PCS

- REMOVE ANTI-TIPPING PACK FROM BACK PANEL, ASSEMBLE IT TO AVOID TIPPING.



For items use on wooden floor, hard surfaces or carpets, it is recommended to install protective pads under all legs and supports to avoid/prevent from damages/scratches and discoloration.